

# TiLite T-Series Canadian Order Form – AADL #W395

Effective Jan 2023 (New Items in Red)

DUAL-TUBE RIGID FRAME

Page 1 of 8

## DEALER INFORMATION

**MEDmobility**

5711- Calgary Trail NW

Edmonton AB T6H 2K1

P: 780-437-3300 • F: 780-430-9381

**AADL Vendor # 0000612578-001**

Ship Date:

Order #:

Model #: \_\_\_\_\_  
 Sold By: \_\_\_\_\_  
 Weight: \_\_\_\_\_  
 City: \_\_\_\_\_  
 Province: \_\_\_\_\_  
 Postal Code: \_\_\_\_\_

## RTS INFORMATION

RTS: \_\_\_\_\_ Phone: \_\_\_\_\_  
 Email: \_\_\_\_\_  
**SHIP TO INFORMATION**  
 Name: \_\_\_\_\_ Ship Via: \_\_\_\_\_  
 Address: \_\_\_\_\_  
 City: \_\_\_\_\_ Province: \_\_\_\_\_ Postal Code: \_\_\_\_\_  
 Phone: \_\_\_\_\_ Fax: \_\_\_\_\_

More options and frame modifications may be available through our Creative Mobility Division! Please contact customer service for details or [click here](#) to view options.

Please Email or Fax to the Permobil Manual Customer Experience Team at [tilitesales@permobil.com](mailto:tilitesales@permobil.com) or 866.586.2413

## FRAME STYLE

- ATFS1  **Aero T Aluminum Frame** (Full Adjustability. 265 Pound Weight Limit).....\$4036
- THDR1  **Heavy Duty Frame** (350 Pound Weight Limit. No charge when 20" Rear Seat Width A and 20" Seat Depth B are selected. Includes Tension Adjustable by Straps Back Upholstery. Requires Folding Aluminum Adjustable Height Backrest, Billet Aluminum Front Wheels, Shadow or Spinergy SPOX Rear Wheels. LX Rear Wheels only available with 0 or 2 degree camber. Not available with Slipstream Fork, Velcro Adjustable Upholstery, Open Loop Footrest, V-Front Taper or Glide™ Forks.).....\$487
- TQST1  **Q'Straint Adaptable Frame** (350 Pound Weight Limit. No charge when 20" Rear Seat Width A and 20" Seat Depth B are selected. Includes Tension Adjustable by Straps Back Upholstery. Requires Folding Aluminum Adjustable Height Backrest, Billet Aluminum Front Wheels, Shadow or Spinergy SPOX Rear Wheels. LX Rear Wheels only available with 0 or 2 degree camber. Not available with Slipstream Fork, Velcro Adjustable Upholstery, Open Loop Footrest, V-Front Taper or Glide™ Forks.).....\$487
- TRFR1  **Reinforced Frame** (No charge when 20" Rear Seat Width A and 20" B Seat Depth are selected.).....\$437

## SMARTDRIVE POWER ASSIST SYSTEM (Client Cost)

- TMAXSD1  **Permobil SmartDrive MX2+** (Not available with rear seat heights less than 13.5", or 20" rear wheels).....\$7989
- TMAXSD16  **NEW** SpeedControl Dial TMAXSD17  Extended Mount **OR** TMAXSD18  SwitchControl Buttons.....NCO
- TMAXSD13  **NEW** PushTracker E3 (Not required).....\$72
- TMAXSD8  SwitchControl with Mono Jack Option.....\$208
- TMAXSD19  **NEW** Buddy Button.....\$368
- TMAXSD4  Carrying Bag.....\$110
- TMAXSD10  Universal Padded Handle.....\$31

\*SmartDrive apps available on Watch OS (Apple Watch Series 5 or newer).

## FRAME FINISHES

- High Gloss Paint  TFF8 High Gloss Black
- Metallic Paint  TFF14 Ocean Blue Metallic

## COLOR ANODIZE PACKAGE

Color Anodize Package includes: Caster Mount, Caster Fork, and Caster Caps. If no anodize color is selected, the default will be black.)

- ZANO1 Black.....STD

## TiFit: TAILORED INDIVIDUALIZED FRAME

**REAR SEAT WIDTH A** Measure from outside of seat tube at back post to the outside of the opposite seat tube at back post.

- TSW1  12"  13"  14"  15"  16"  17"  18"  19".....STD
- TSW2  20".....\$541

**FRONT SEAT WIDTH (SEAT TAPER) T** Measure from inside of front frame tube to inside of opposite front frame tube. (Required with V-Front End v. Not Available with Standard Front End.)

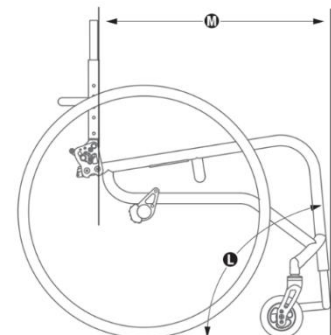
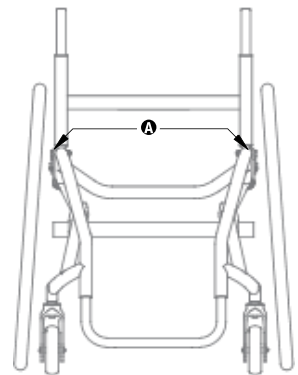
- TFSW1  No Taper.....STD
- TFSW2  1" (2.5cm) Taper (3" Narrower than Rear Seat Width A. Includes Tension Adjustable by Straps Seat Upholstery.).....\$306
- TFSW4  2" (5.1cm) Taper (4" Narrower than Rear Seat Width A. Includes Tension Adjustable by Straps Seat Upholstery.).....\$306

**SEAT DEPTH B** Measure from front of back post to the front edge of seat sling. Frame bend will start .5" in front of seat sling unless Custom Frame Depth is specified, or the combination of specifications affect the rolling dynamics of the chair.

- TSD1  12"  13"  14"  15"  16"  17"  18"  19".....STD
- TSD2  20".....\$590
- TSD3  Custom Frame Depth: \_\_\_\_\_" Frame Depth Longer or Shorter Than Seat Depth (Measure from front of seat sling to beginning of frame bend. Ranges from 0.25" to 3" and can be given as specific as 1/4" increments. A negative Custom Frame Depth or specified above 3" may be available through our Creative Mobility Division. A Custom Frame Depth of 20" will have an additional charge.).....NCO

**ERGONOMIC SEAT U** Measure from front of back post to beginning of upward bend of seat tube.

- TERG2  AeroT Ergonomic Seat (Center of Gravity adjustment may be affected by this



Permobil.com  
 2701 West Court Street / Pasco, Washington 99301  
 Tel 800 736 0925 or Email [tilitesales@permobil.com](mailto:tilitesales@permobil.com)

# TiLite T-Series Canadian Order Form – AADL #W395

*option. Not available with V-Front or Seat Taper, Seat Back that Locks When Folded, Desk Arms, Depth Adjustable Backrests, Fold Down Rigid Sideguards, Fendered Adjustable Sideguards, Solid Seat, Tension Adjustable Bolt On Seat Upholstery, or the Curve cushion.*

- 6" (15.2cm) (Minimum Seat Depth B 12")
- 7" (17.8cm) (Minimum Seat Depth B 12")
- 8" (20.3cm) (Minimum Seat Depth B 13") .....\$568

**FRONT SEAT HEIGHT C** Measure from floor to top of seat tube at front edge of seat sling.

- TFSH1  15" (38.1cm)  16" (40.6cm)  16.5" (41.9cm)  17" (43.2cm)  17.5" (44.5cm)  
 18" (45.7cm)  18.5" (47cm)  19" (48.3cm)  19.5" (49.5cm)  20" (50.8cm)  
 20.5" (52.1cm)  21" (53.3cm).....**STD**

**REAR SEAT HEIGHT D** Measure from floor to top of seat tube at back post.

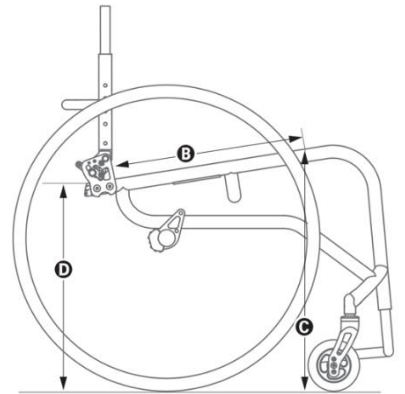
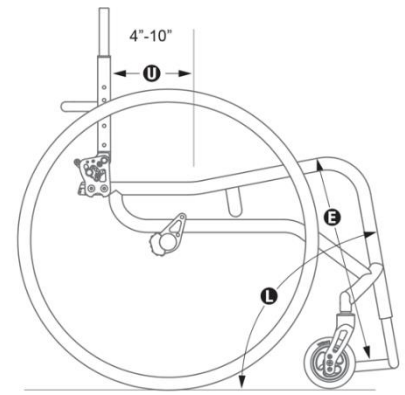
Rear Wheel Size	Rear Seat Height
20"	12.5"-21" (31.8-53.3 cm)
22"	13.5"-21" (34.3-53.3 cm)
24"	14.5"-21" (15" on AeroT/TRA) (36.8-53.3 cm)
25"	15.0"-21" (38.1-53.3 cm)
26"	15.5"-21" (38.1-53.3 cm)

- TRSH1  12.5" (31.8cm)  13" (33cm)  13.5" (34.3cm)  14" (35.6cm)  14.5" (36.8cm)  
 15" (38.1cm)  15.5" (39.4cm)  16" (40.6cm)  16.5" (41.9cm)  17" (43.2cm)  
 17.5" (44.5cm)  18" (45.7cm)  18.5" (47cm)  19" (48.3cm)  19.5" (49.5cm)  
 20" (50.8cm) .....**STD**

**FRONT ANGLE or OVERALL FRAME LENGTH** Select one. If Overall Frame Length is selected, front angle will be bent to achieve requested length.

- TFA1  70°  75°  80°  85° **L** Measure from frame front to floor. (Not available with 6" Front Wheels.)  90° (Not available with 5" or 6" Front Wheels.).....**STD**

- TFA2  Overall Frame Length **M** " Measure from front of backrest to Front Edge of Footrest. ....**NCO**



**TiFit: TAILORED INDIVIDUALIZED FRAME**

**SEAT TO FOOTREST E/FOOTRESTS** Measure from front edge of seat sling to top rear of footrest. **Standard Footrests** Measurement must be at least 2" shorter than Front Seat Height C.  
 13.5" (34.3cm)  14" (35.6cm)  14.5" (36.8cm)  15" (38.1cm)  15.5" (39.4cm)  16" (40.6cm)  
 16.5" (41.9cm)  17" (43.2cm)  17.5" (44.5cm)  18" (45.7cm)  18.5" (47cm)  19" (48.3cm)

- TFTR3  Angle Adjustable Footrest.....**STD**  
 TFTR1  Titanium Footrest w/Flat ABS Cover.....**\$219**  
 TFTR2  Titanium Open Loop Footrest.....**\$279**  
 TFTR12  Angle Adjustable Flip-Back Footrest (Not available with ABS Cover with 2" Sides or Front Roller.).....**\$257**

**High Mount Footrest**

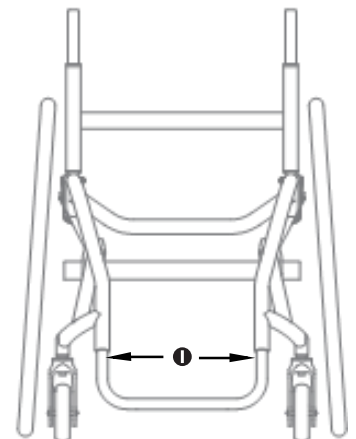
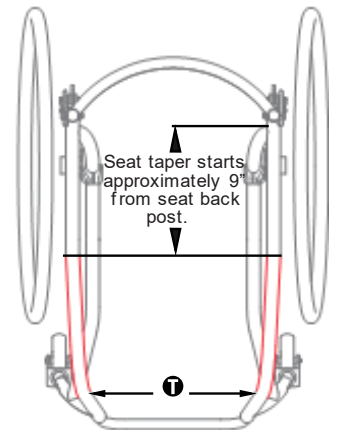
- 7"-9"  9"-11"  11"-13" Set at \_\_\_\_\_ (Use 1/2" increments)  
 TFTR4  Angle Adjustable High Mount Footrest.....**\$160**

**FOOTREST WIDTH I or V** Select either a Standard Front End I if no Seat Taper T is selected or a V-Front End V if a Seat Taper T is selected.

**STANDARD FRONT END I** Find your Rear Seat Width A in the Chart below and select one of the options to the right. Measure from inside of front frame tube to inside of opposite front frame tube.

- TFE1  NO V-Front Taper.....**STD**

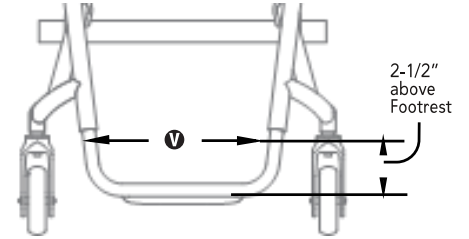
REAR SEAT WIDTH A (Outside Measurement)	FOOTREST WIDTH I		
	No Taper (2" Narrower than Rear Seat Width)	2" Taper (4" Narrower than Rear Seat Width)	4" Taper (6" Narrower than Rear Seat Width)
12"	<input type="checkbox"/> 10"	<input type="checkbox"/> 8"	
13"	<input type="checkbox"/> 11"	<input type="checkbox"/> 9"	
14"	<input type="checkbox"/> 12"	<input type="checkbox"/> 10"	<input type="checkbox"/> 8"
15"	<input type="checkbox"/> 13"	<input type="checkbox"/> 11"	<input type="checkbox"/> 9"
16"	<input type="checkbox"/> 14"	<input type="checkbox"/> 12"	<input type="checkbox"/> 10"
17"	<input type="checkbox"/> 15"	<input type="checkbox"/> 13"	<input type="checkbox"/> 11"
18"	<input type="checkbox"/> 16"	<input type="checkbox"/> 14"	<input type="checkbox"/> 12"
19"	<input type="checkbox"/> 17"	<input type="checkbox"/> 15"	<input type="checkbox"/> 13"
20"	<input type="checkbox"/> 18"	<input type="checkbox"/> 16"	<input type="checkbox"/> 14"



# TiLite T-Series Canadian Order Form – AADL #W395

**V-FRONT END V** Measure from inside of front frame tube to inside of opposite front frame tube 2-1/2" above footrest. (Titanium Footrests have 1" of adjustment up and down. Not available with Ergonomic Seat frames.)

- TFE2  V-Front Taper..... **NCO**
- 9" (22.9cm)       10" (25.54cm)       11" (27.9cm)  
 12" (30.5cm)       13" (33cm)       14" (35.6cm)  
 15" (38.1cm)



## BACK SUPPORTS

### ROHO® AGILITY® ACTIVE ALUMINUM Contour Back Support

- Shell Height  8"  10"  
 SBRS14  AGILITY Active Aluminum Min Contour with Foam..... **\$979**  
 SBRS15  AGILITY Active Aluminum Mid Contour with Foam..... **\$979**

### ROHO® AGILITY® ACTIVE CARBON Contour Back Support (2x2 Twill Weave Carbon Fiber)

- Shell Height  10"  13"  16"  
 AGILITY Carbon Min Contour Back with Foam w/ Air Insert  
 SBRS7 Foam w/ Air Insert..... **\$1253**  
 ACB1 AGILITY Active Carbon Upgrade (Not available with Bolt-on Push Handles)..... **\$234**  
 Fixed Hardware (Not available with 18" Shell Height or Folding Chairs)..... **NCO**

- AGILITY Carbon Mid Contour Back with Foam w/ Air Insert  
 SBRS9 Foam w/ Air Insert..... **\$1278**  
 ACB2 AGILITY Active Carbon Upgrade (Not available with Bolt-on Push Handles)..... **\$221**  
 Fixed Hardware (Not available with 18" Shell Height or Folding Chairs)..... **NCO**

### COMFORT ACTA-EMBRACE® Back Support

- Shell Height  10"  12"  14"  16"  
 SBRS16  Acta-Embrace Back with 2-PT Quick Release Compass Hardware..... **\$840**  
 CPSB1  Comfort Privacy Shield..... **\$58**

### COMFORT ACTA-RELIEF Back Support

- Shell Height  10"  12"  14"  16"  
 SBRS13  Acta-Relief Back with 2-PT Quick Release Compass Hardware..... **\$1061**  
 CPSB1  Comfort Privacy Shield..... **\$58**

### BACK UPHOLSTERY (Want more seating options? [Click here](#) to view the new TiLite Seating Order Form.)

- TBUP2  Velcro Adjustable (Not available with Fold-Down Push Handles)..... **STD**  
**Tension Adjustable by Straps (Required with Fold-Down Push Handles.)**  
 TBUP3  Padded Nylon..... **\$454**  
 TBUP5  AIR Breathable Upholstery (Not available with Ultrasuede Backrest Stripe)..... **\$437**  
 TUPC3 Ultrasuede Backrest Stripe  Black..... **\$116**  
 TBUP0  Omit Back Upholstery..... **NCO**

## TiFit: TAILORED INDIVIDUALIZED FRAME

**SEAT BACK TYPE/PUSH HANDLES/SEAT BACK HEIGHT F** Measure from top of back post to top of seat tube at rear of frame.

- TSB1  Folding Aluminum Adjustable Height Back (Required for Heavy Duty Frame.)... **STD**  
 TSB2  Folding Titanium Adjustable Height Back and Rounded Rigidizer Bar (Titanium back will match Frame Finish.)..... **\$323**

### TISHAFT™ BACK RELEASE BARS (Not available with Non-Folding, Fixed Height Titanium Back.)

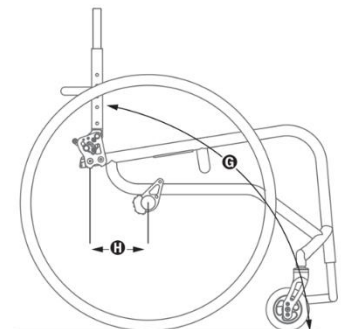
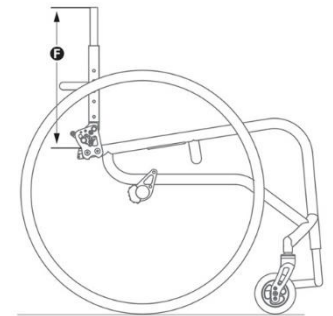
- TSB3  Aluminum..... **STD**  
 TSB6  2x2 Twill Weave Carbon Fiber..... **\$94**

### PUSH HANDLES

- TSB6  Integrated Push Handles..... **NCO**  
 TSB7  Integrated Fold-Down Push Handles (Requires Tension Adjustable by Straps Back Upholstery)..... **\$126**  
 TSB8  Bolt-On Push Handles (Includes 4" Deep Backrest Rigidizer Bar)..... **\$219**  
 TSB9  Bolt-On Height-Adjustable Push Handles (Includes 4" Deep Backrest Rigidizer Bar)..... **\$449**

### FOLDING SEAT BACK HEIGHT F (TSB1 and TSB2)

Push Handles (Selected Above)	Short	Medium	Tall	Set at: (Use 1/2" increments)
None/ Bolt-On	<input type="checkbox"/> 8.5"-11.5"	<input type="checkbox"/> 12"-16.5"	<input type="checkbox"/> 16"-20.5"	Set at: _____
Integrated	<input type="checkbox"/> 10.5"-12.5"	<input type="checkbox"/> 13.5"-16.5"	<input type="checkbox"/> 17.5"-20.5"	Set at: _____
Integrated Fold-Down	<input type="checkbox"/> 13"-15.5"	<input type="checkbox"/> 14"-18.5"	<input type="checkbox"/> 18.5"-21"	Set at: _____



**AVAILABLE ON ALL BACKS**

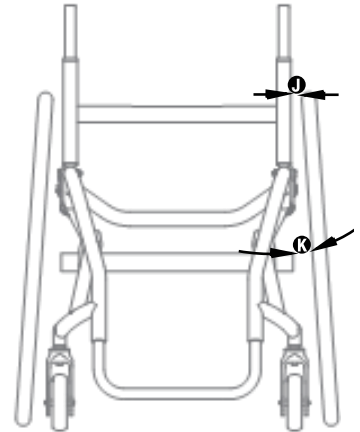
- TSB11  Backrest that Locks when Folded (Not available with Ergonomic Seat.).....**STD**
- TSB12  4" Deep Backrest Rigidizer Bar (Not available with a Non-Folding, Fixed Height Titanium Seat Back Type. 4" Deep Rigidizer Bar is NOT a rounded style rigidizer bar.).....**NCO**

**SEAT BACK ANGLE G** Measure angle from front of back post to floor.

- TSBA1 **Folding Back**  
 80°  83°  86°  89°  92°  95°  98°  101°.....**STD**

**CENTER OF GRAVITY H** Measure from front of back post at the seat tube to the center of the rear axle. If no center of gravity is selected, chair will ship with the center of gravity in the rearward-most position.

- TCOG1  1" (2.5cm)  1.25" (3.2cm)  1.5" (3.8cm)  1.75" (4.4cm)  2" (5.1cm)  
 2.25" (5.7cm)  2.5" (6.4cm)  2.75" (7cm)  3" (7.6cm)  3.25" (8.3cm)  
 3.5" (8.9cm)  3.75" (9.5cm)  4" (10.2cm)  4.25" (10.8cm)  4.5" (11.4cm)  
 4.75" (12.1cm)  5"(12.7cm).....**STD**



**REAR WHEEL SPACING J/PLUGS** Measure from outside of seat back post to inside of rear tire. Ergonomic Seat selection may limit available center of gravity.

- TRWS1  .75"  1"  1.25".....**STD**
- TCBR12  Adjustable Rear Wheel Spacing Camber Plugs (Not available with Power Adaptable Frame.).....**STD**
- TCBR9  Additional Spacers to Increase Rear Wheel Spacing.....**NCO**
- TCBR11  Zero Play Aluminum Camber Plugs (Not available with Power Adaptable Frame or more than 6° of Camber K.).....**NCO**

**CAMBER K/CAMBER TUBES**

- TCBR1  0°  2°  4°  6° (8° of Camber K may be available through our Creative Mobility Division.).....**STD**
- TCBR15  Aluminum Camber Tube.....**STD**
- TCBR3  Titanium Camber Tube (Not available with Power Adaptable Frame.).....**\$236**

**SEAT UPHOLSTERY**

- ZSUP1  Tension Adjustable Bolt On (Not available with Ergonomic Seat or Tapered Seat T. Black only.).....**STD**
- ZSUP2  Tension Adjustable by Straps (Standard with Ergonomic Seat and Front Seat Width (Seat Taper) T of 1", 2" or 3". Black upholstery only.).....**\$203**
- ZSUP8  Aluminum Solid Seat (Not available with 10" or 11" Rear Seat Width A or Ergonomic Seat U.).....**\$312**
- ZSUP0  Omit Seat.....**NCO**

**SEAT CUSHION**

(Want more seating options? [Click here](#) to view the new TiLite Seating Order Form.)

- TCSH2  Comfort Curve Cushion (Stretch-Air cover).....**\$150**
- TCSH23  Comfort Acta-Embrace™ Comfort-Tek Zero Elevation Cushion.....**\$522**
- TCSH11  ROHO® Single Compartment (Fits seat widths 14" to 19") Profile:  Low  Mid  High.....**\$711**
- TCSH14  ROHO® QUADTRO SELECT® Cushion (Fits seat widths 14" to 19") Profile:  Low  Mid  High.....**\$711**
- TCSH16  ROHO® Hybrid Select (Fits seat widths 14" to 18", and 20").....**\$756**

**CUSTOM CONFIGURATION OPTIONS**

**FRONT WHEELS**

- TFW24  3"x1.5" LiteSpeed Billet Aluminum Wheel w/Soft Roll Tire  Silver Hub **OR**  Black Hub.....**\$197**
- TFW14  4"x.75" Plastic Wheel w/Poly Tire (Not available with Slipstream Fork, Glide™ Single-Sided Fork or Power Adaptable Frame.).....**NCO**
- TFW3  4"x.75" Light-Up Micro-Caster (Not available with Slipstream Fork, Glide™ Single-Sided Fork or Power Adaptable Frame.).....**\$88**
- TFW26  4"x1.5" LiteSpeed Plastic Wheel w/Soft Roll Tire (Not available with Power Assist, Power Add-on System or Heavy Duty Frame.).....**\$104**
- TFW27  4"x1.5" LiteSpeed Billet Aluminum Wheel w/Soft Roll Tire  Silver Hub **OR**  Black Hub.....**\$208**
- TFW6  5"x1" Plastic Wheel w/Poly Tire (Not available with 90° Front Angle L, Slipstream Fork, Glide™ Single-Sided Fork or Power Adaptable Frame.).....**NCO**
- TFW28  5"x1.5" LiteSpeed Plastic Wheel w/Soft Roll Tire (Not available with 90° Front Angle L or Power Adaptable Frame.).....**\$104**
- TFW30  5"x1.5" LiteSpeed Billet Aluminum Wheel w/Soft Roll Tire  Silver Hub **OR**  Black Hub (Not available with 90° Front Angle L.).....**\$274**
- TFW9  6"x1" Plastic Wheel w/Poly Tire (Not available with 85° or 90° Front Angle L, Slipstream Fork, Glide™ Single-Sided Fork or Power Adaptable Frame.).....**NCO**
- TFW32  6"x1.5" LiteSpeed Plastic Wheel w/Soft Roll Tire (Not available with 85° or 90° Front Angle L, Slipstream Fork, Glide™ Single-Sided Fork or Power Adaptable Frame.).....**\$110**
- TFW33  6"x1.5" LiteSpeed Billet Aluminum Wheel w/Soft Roll Tire  Silver Hub **OR**  Black Hub (Not available with 85° or 90° Front Angle L, Slipstream Fork, Glide™ Single-Sided Fork.).....**\$274**

**PRECISION LOCK FRONT FORKS**

- TFK1  TiLite Standard Fork.....**STD**

# TiLite T-Series Canadian Order Form – AADL #W395

TFK2	<input type="checkbox"/> TiLite Slipstream Single-Sided Fork (Not available with Power Adaptable Frame.)	\$203
ZGL1	<input type="checkbox"/> Glide™ Suspension Fork (Black anodize only. Not available with Heavy Duty Frame.)	\$596
	Rider's Weight: <input type="checkbox"/> 125 lbs. <input type="checkbox"/> 125-180 lbs. <input type="checkbox"/> 180-265 lbs.	
TTF51	<input type="checkbox"/> Titanium Fork Stem	\$66

**STANDARD REAR WHEELS** (See Rear Seat Height Ranges Chart for Rear Seat Height D limitations.)

TRW14	TiLite SHADOW™	STD
	<input type="checkbox"/> 20"(451)	
	<input type="checkbox"/> 22"(501)	
	<input type="checkbox"/> 24"(540)	
	<input type="checkbox"/> 25"(559) (Requires 15" minimum Seat Depth B.)	
	<input type="checkbox"/> 26"(590) (Requires 15" minimum Seat Depth B.)	

**PERFORMANCE REAR WHEELS**

(See Rear Seat Height Ranges Chart for Rear Seat Height D limitations.)

TRW7	Spinergy SPOX <input type="checkbox"/> Black <input type="checkbox"/> Red <input type="checkbox"/> Blue <input type="checkbox"/> White <input type="checkbox"/> Orange <input type="checkbox"/> Pink <input type="checkbox"/> Purple <input type="checkbox"/> Green (Orange, Pink, Purple And Green only available in 20" size.)	\$983
	<input type="checkbox"/> 20"(451) - Std. Hub	
	<input type="checkbox"/> 22"(501) - Std. Hub	
	<input type="checkbox"/> 24"(540) - Std. Hub	
	<input type="checkbox"/> 25"(559) - Std. Hub (Requires 15" minimum Seat Depth B.)	
	<input type="checkbox"/> 26"(590) - Std. Hub (Requires 15" minimum Seat Depth B.)	
TRW8	Spinergy LX <input type="checkbox"/> Black <input type="checkbox"/> Red <input type="checkbox"/> Blue <input type="checkbox"/> White <input type="checkbox"/> Bright Orange <input type="checkbox"/> Flamingo Pink <input type="checkbox"/> Purple <input type="checkbox"/> Green	\$1153
	<input type="checkbox"/> 22"(501) - Std. Hub	
	<input type="checkbox"/> 24"(540) - Std. Hub	
	<input type="checkbox"/> 25"(559) - Std. Hub (Requires 15" minimum Seat Depth B.)	
	<input type="checkbox"/> 26"(590) - Std. Hub (Requires 15" minimum Seat Depth B. Not available with Quad Release Axles.)	
ZRW9	Spinergy Design Lab LX Wheels (If same color is selected, anodized hubs and rims match color anodized package on page 1. Available with black spokes only.)	
	<input type="checkbox"/> Gold Anodize <input type="checkbox"/> Green Anodize <input type="checkbox"/> Blue Anodize <input type="checkbox"/> Red Anodize <input type="checkbox"/> Purple Anodize <input type="checkbox"/> Orange Anodize	\$1928
	<input type="checkbox"/> 22"(501) - Std. Hub	
	<input type="checkbox"/> 24"(540) - Std. Hub	
	<input type="checkbox"/> 25"(559) - Std. Hub (Requires 15" minimum Seat Depth B.)	
	<input type="checkbox"/> 26"(590) - Std. Hub (Requires 15" minimum Seat Depth B.)	
ZRW16	Spinergy® Carbon Blade with 2x2 Twill Weave Carbon Fiber (Not available with Heavy Duty Frame.)	\$1682
	<input type="checkbox"/> 24"(540)	
	<input type="checkbox"/> 25"(559) (Requires 15" minimum Seat Depth B.)	
TRW17	X-Core Mag (Not available with Heavy Duty Frame, Short Tabs, Quad Release Axles, Spoke Guards or Omit Handrims Option. Requires Aluminum Sliver Anodized Handrims.)	\$121
	<input type="checkbox"/> 20"(451)	
	<input type="checkbox"/> 22"(501)	
	<input type="checkbox"/> 24"(540)	

**AXLES**

TAXL1	<input type="checkbox"/> Stainless Quick Release	STD
TAXL2	<input type="checkbox"/> Titanium Quick Release	\$318
TAXL3	<input type="checkbox"/> Quad Release (Not available with Mag or 26"(590) Spinergy Spox or LX Rear Wheels.)	\$187

**PNEUMATIC REAR TIRES**

TRTR1	<input type="checkbox"/> Treaded 22"(501), 24"(540), and 26"(590)	STD
TRTR2	<input type="checkbox"/> Airless Inserts (Not available with Spinergy Carbon Blade Rear Wheels.)	\$99
TRTR31	<input type="checkbox"/> MBL SpeedLite 20"(451), 22"(501), 24"(540), 25"(559) and 26"(590)	STD
TRTR30	<input type="checkbox"/> 24"(540), 25"(559) and 26"(590) Primo Sentinel	\$175
TRTR8	<input type="checkbox"/> 24"(540), 25"(559) and 26"(590) Schwalbe® Marathon Plus Evolution	\$170
TRTR32	<input type="checkbox"/> 24"(540) Primo C-763 Knobby	\$106

**SOLID REAR TIRES** (Not available with Spinergy Carbon Blade Rear Wheels.)

TRTR22	<input type="checkbox"/> 20"(451), 22"(501), 24"(540) and 25"(559) Primo Express	\$121
TRTR23	<input type="checkbox"/> 24"(540) and 25"(559) Primo Active	\$148

**HANDRIMS**

TRIM1	<input type="checkbox"/> Aluminum – Silver Anodized	STD
TRIM21	<input type="checkbox"/> Aluminum – Black Anodized	\$66
TRIM12	<input type="checkbox"/> Titanium – Satin Finish (Not available with 20"(451) or 22"(501) Rear Wheels, or 24"(540) Knobby tires.)	\$536
TRIM10	<input type="checkbox"/> The Surge (All-In-One Oval with Gription™ Strip, Larger Profile) (Not available with 20"(451) Rear Wheels.)	\$476
TRIM11	<input type="checkbox"/> The Surge LT (All-In-One Oval with Gription™ Strip, Smaller Profile) (Not available with 20"(451) Rear Wheels.)	\$514
TRIM20	<input type="checkbox"/> Q-Grip (Exclusive High-Friction, Anti-Slip Coating) (Not available with 20"(451) Rear Wheels.)	\$410

**The Natural-Fit® (Original, Larger Profile)** (Not available with 20"(451) Rear Wheels.)

TRIM14	<input type="checkbox"/> Standard Grip (Not available with Short Tabs or Spinergy Carbon Blade Rear Wheels.)	\$454
--------	--	-------

# TiLite T-Series Canadian Order Form – AADL #W395

TRIM15	<input type="checkbox"/> Super Grip (Not available with Short Tabs or Spinergy Carbon Blade Rear Wheels.)	\$514
TRIM16	<input type="checkbox"/> Without Thumb Grip	\$415
<b>The Natural-Fit® LT (Reduced Weight, Smaller Profile) (Not available with 20" (451) Rear Wheels.)</b>		
TRIM17	<input type="checkbox"/> Standard Grip (Not available with Short Tabs or Spinergy Carbon Blade Rear Wheels.)	\$546
TRIM18	<input type="checkbox"/> Super Grip (Not available with Short Tabs or Spinergy Carbon Blade Rear Wheels.)	\$585
TRIM19	<input type="checkbox"/> Without Thumb Grip	\$503
<b>Additional Handrim Options</b>		
TRIM5	<input type="checkbox"/> Plastic Coated – Black	\$175
TRIM22	<input type="checkbox"/> Omit Handrims	NCO
<b>Tab Length</b>		
TRIM7	<input type="checkbox"/> Long Tabs	STD
TRIM8	<input type="checkbox"/> Short Tabs (Not available with Mag Rear Wheels or The Natural-Fit® Handrims with Thumb Grip.)	\$39
<b>WHEEL LOCKS</b>		
TWLK7	<input type="checkbox"/> Compact Composite Push to Lock (Available with .75" to 1.5" Rear Wheel Spacing ) only.)	NCO
TWLK8	<input type="checkbox"/> Compact Composite Pull to Lock (Available with .75" to 1.5" Rear Wheel Spacing ) only.)	NCO
TWLK10	<input type="checkbox"/> Extension Handles for Compact Composite Push/Pull to Lock	\$94
<b>Additional Wheel Locks</b>		
TWLK11	<input type="checkbox"/> MBL Composite Scissor Lock	\$225
TWLK3	Uni-Lock Set At: <input type="checkbox"/> Push <b>OR</b> <input type="checkbox"/> Pull	\$181
TWLK4	<input type="checkbox"/> Extension Handles for Uni-Lock	\$94
TWLK15	<input type="checkbox"/> Grade Aids Push to Lock (Not available with solid rear tires)	\$252

## CUSTOM CONFIGURATION OPTIONS

### SIDE GUARDS

#### Aluminum

TSDG2	<input type="checkbox"/> Rigid Removable	<input type="checkbox"/> Small <b>OR</b> <input type="checkbox"/> Std	\$318
TSDG3	<input type="checkbox"/> Quad Removable w/Hole	<input type="checkbox"/> Small <b>OR</b> <input type="checkbox"/> Std	\$345
TSDG4	<input type="checkbox"/> Fold Down Rigid	<input type="checkbox"/> Small <b>OR</b> <input type="checkbox"/> Std (Not available with Ergonomic Seat.)	\$410
TSDG6	<input type="checkbox"/> Fendered Adjustable (Available with 24" and 25" Rear Wheels. Requires Rear Seat Height D of 14.5" to 18.5")		\$437

#### 2x2 Twill Weave Carbon Fiber

TSDG7	<input type="checkbox"/> Rigid Removable	<input type="checkbox"/> Small <b>OR</b> <input type="checkbox"/> Std	\$372
TSDG8	<input type="checkbox"/> Quad Removable w/Hole	<input type="checkbox"/> Small <b>OR</b> <input type="checkbox"/> Std	\$410
TSDG9	<input type="checkbox"/> Fold Down Rigid	<input type="checkbox"/> Small <b>OR</b> <input type="checkbox"/> Std (Not available with Ergonomic Seat or Carbon Edition.)	\$558
TSDG12	<input type="checkbox"/> Fendered Removable		\$650

#### Available on Aluminum and Carbon Fiber Non-Fendered Side Guards

TSDG13	<input type="checkbox"/> Side Guards Custom Cut to Profile of Rear Wheels	\$345
--------	---	-------

### ARMRESTS (Desk Arms come with built-in Side Guards.)

TARM1	Swing Away Tubular <input type="checkbox"/> 6.5" to 9.5" <b>OR</b> <input type="checkbox"/> 9.5" to 12.5" (Not Available with Non-Folding, Fixed Height Titanium Seat Back or Height Adjustable Push Handles.)	\$284
TARM4	<input type="checkbox"/> Swing Away - Flip Back Tubular 8.5" to 11.5" (Not Available with Non-Folding, Fixed Height Titanium Seat Back.)	\$345
TARM2	Removable Height Adjustable Desk Arm with Rigid Side Guard (Requires 14" minimum Seat Depth B. Not available with Ergonomic Seat.)	\$394
	<input type="checkbox"/> 9" to 12" <b>OR</b> <input type="checkbox"/> 12" to 15"	
	<input type="checkbox"/> Standard Length Pad (10") <b>OR</b> <input type="checkbox"/> Full Length Pad (14")	
TARM3	Removable Height Adjustable Desk Arm with Rigid Side Guard and Transfer Loop (Requires 15" minimum Seat Depth B. Not Available with Ergonomic Seat.)	\$410
	<input type="checkbox"/> 9" to 12" <b>OR</b> <input type="checkbox"/> 12" to 15"	
	<input type="checkbox"/> Standard Length Pad (10") <b>OR</b> <input type="checkbox"/> Full Length Pad (14")	

#### Available Armrest Option

TARM5	<input type="checkbox"/> Covered in Black Ultrasuede (Not available with Desk Arms)	\$126
-------	---	-------

### SEAT BELTS

TBLT1	<input type="checkbox"/> Velcro Adjustable, Black Nylon Webbing	\$61
TBLT2	<input type="checkbox"/> Bodypoint® 2" Push-Button Buckle (Auto-Style.)	\$104
TBLT4	<input type="checkbox"/> Bodypoint® 1" Wide Push-Button Buckle Padded (Auto-Style.) (Not available with 19" or 20" Rear Seat Widths A.)	\$187
TBLT5	<input type="checkbox"/> Bodypoint® 1.5" Wide Push-Button Buckle Padded (Auto-Style.) (Not available with 19" or 20" Rear Seat Widths A.)	\$187
TBLT10	<input type="checkbox"/> Bodypoint® Optional Band Clamp Mounting Hardware	\$22
TBLT16	<input type="checkbox"/> Bodypoint® EvoFlex® Pelvic Stabilizer Push Button	\$263

### CALF STRAP

TCLF2	Velcro Adjustable	\$50
	<input type="checkbox"/> Xtra Small (Recommended for 6" - 9" Footrest Widths.)	
	<input type="checkbox"/> Small (Recommended for 9" - 12" Footrest Widths.)	
	<input type="checkbox"/> Medium (Recommended for 11" - 15" Footrest Widths.)	
	<input type="checkbox"/> Large (Recommended for 14" - 17" Footrest Widths.)	

# TiLite T-Series Canadian Order Form – AADL #W395

Effective Jan 2023 (New Items in Red)

DUAL-TUBE RIGID FRAME

Page 7 of 8

TCLF3	<input type="checkbox"/> Xtra Large (Recommended for 16"- 19" Footrest Widths.) Bodypoint® Padded Velcro Adjustable.....	\$88
	<input type="checkbox"/> Medium (Recommended for 11"- 15" Footrest Widths.)	
	<input type="checkbox"/> Large (Recommended for 16"- 19" Footrest Widths.)	
TCLF1	<input type="checkbox"/> Buckle Adjustable, Black Nylon Webbing.....	\$34
<b>RESIDUAL LIMB SUPPORT</b>		
TRSL1	<input type="checkbox"/> Residual Limb Support <input type="checkbox"/> Left <b>OR</b> <input type="checkbox"/> Right (8" width x 10" length).....	\$563
TRSL2	<input type="checkbox"/> Residual Limb Support Pair (8" width x 10" length).....	\$1126
<b>BACKPACK</b>		
TBCK3	<input type="checkbox"/> Black Permobil Backpack.....	\$104
<b>SEAT POUCH</b>		
TPCH3	<input type="checkbox"/> Black Permobil Seat Pouch.....	\$66
TPCH4	<input type="checkbox"/> Bodypoint® Mobility Bag.....	\$143
<b>SPOKE GUARDS</b>		
TGRD1	<input type="checkbox"/> Clear Lexan with TiMotion Logo (Not available with Mag Rear Wheels.).....	\$148

## CUSTOM CONFIGURATION OPTIONS

### ANTI-TIPS

TTIP1	<input type="checkbox"/> Rear Aluminum - Black.....	\$214
	<input type="checkbox"/> Black Aluminum Single.....	\$110
Mount on <input type="checkbox"/> Left Side or <input type="checkbox"/> Right Side.....		NCO
TTIP2	<input type="checkbox"/> User Friendly Flip-up (Not available with Frog Legs® Rear Suspension.).....	\$394
ZTIP8	<input type="checkbox"/> User Friendly Flip-up Single.....	\$187
Mount on <input type="checkbox"/> Left Side or <input type="checkbox"/> Right Side.....		NCO

### ACCESSORIES

TUEST1	Upper Extremity Support Tray <input type="checkbox"/> 12" to 14" <b>OR</b> <input type="checkbox"/> 13" to 15" Seat Widths A (Requires Armrests.).....	\$318
TLUG1	<input type="checkbox"/> Luggage Carriers.....	\$160
TMPCT2	Neoprene Impact Guards with Ultrasuede Stripe <input type="checkbox"/> Black.....	\$116
TCH1	<input type="checkbox"/> Crutch Holder.....	\$160

## GENERAL

More options and frame modifications may be available through our Creative Mobility Division! Please contact customer service for details or [click here](#) to view options.

Permobil manufactures TiLite manual wheelchairs in a wide variety of configurations to meet the varied needs of wheelchair users. The final selection of a particular model, its options and accessories, and its measurements rests solely with the wheelchair user and advising healthcare professional. These wheelchairs must be fitted by a qualified healthcare professional.

**Get the latest order forms at permobilus.com.** Prices, standard features, options and accessories are subject to change without notice. All rights reserved. Trademarks are identified by symbols™ and ®. TiLite, TiFit, the TiLite logo, Ti, the Ti logo, and TiShaft are registered trademarks of TiSport, LLC and are licensed to Permobil. Permobil® is a registered trademark of Permobil. Adobe®, Acrobat®, Acrobat Professional® and Reader® are registered trademarks of Adobe Systems Inc. Bodypoint® is a registered trademark of Bodypoint Inc. Kenda® is a registered trademark of Kenda Rubber Industrial Co. Ltd. ROHO®, AGILITY®, Low Profile® and Quadro Select® are registered trademarks of ROHO Inc. Schwalbe® is a registered trademark of Ralf Bohle GmbH. The Natural-Fit® and Out-Front® are registered trademarks of Three Rivers Holdings, LLC. The ACTA-BACK®, ACTA-EMBRACE™, COMFORT-TEK™, COMPASS®, CURVE®, ELEMENTS®, and STRETCH AIR™ are registered trademarks of THE COMFORT COMPANY® and are licensed to Permobil. Q'Straint® is a registered trademark of Q'Straint Inc.

## NOTES

**QUOTE THIS CHAIR**

If you are using Adobe Acrobat, this order form may be converted into a quote request or into an order by clicking one of the buttons (this feature is available exclusively to Permobil dealers and distributors). A Quote or an Order Confirmation will be sent to you within 24 hours.

**ORDER THIS CHAIR**