


TiLite Z-Series Canadian Order Form – AADL #W396

Effective Jan 2023 (New Items in Red)

MONO-TUBE RIGID FRAME

Page 1 of 8

DEALER INFORMATION		RTS INFORMATION		
 <p>5711- Calgary Trail NW Edmonton AB T6H 2K1 P:780-437-3300 • F:780-430-9381 AADL Vendor # 0000612578-001 Discount is 5%</p>	Order #:	RTS:	Phone:	
	Order By:	Email:		
	SHIP TO INFORMATION			
	Weight:	Name:	Ship Via:	
		Address:		
Ship Date:	City:	Province:	Postal Code:	
Order #:	Phone:	Fax:		

More options and frame modifications may be available through our Creative Mobility Division! Please contact customer service for details or [click here](#) to view options.

Please Email or Fax to the Permobil Manual Customer Experience Team at tilitesales@permobil.com or 866.586.2413

FRAME STYLE

- AZFS1 **Aero Z Aluminum Frame** (Full Adjustability. 265 Pound Weight Limit. 150 Pound Weight Limit for Rear Seat Width A and Seat Depth B of 10"x10" to 12"x12")..... **\$3595**
- ZRFR1 **Reinforced Frame** (No charge when 20" Rear Seat Width A and 20" B Seat Depth are selected.)..... **\$437**

SMARTDRIVE POWER ASSIST SYSTEM (Client Cost)

- ZMAXSD1 **Permobil SmartDrive MX2+** (Not available with rear seat heights less than 13.5", or 20" rear wheels)..... **\$7989**
- ZMAXSD16 **NEW** SpeedControl Dial ZMAXSD17 Extended Mount **OR** ZMAXSD18 SwitchControl Buttons..... **NCO**
- ZMAXSD13 **NEW** PushTracker E3 (Not required)..... **\$72**
- ZMAXSD8 SwitchControl with Mono Jack Option..... **\$208**
- ZMAXSD19 **NEW** Buddy Button..... **\$368**
- ZMAXSD4 Carrying Bag..... **\$110**
- ZMAXSD10 Universal Padded Handle..... **\$31**

*SmartDrive apps available on Watch OS (Apple Watch Series 5 or newer).

TRANSIT OPTION

- ZTTD03 **Transit Tie-Down** (Tested to WC-19. Consists of four Tie-Down Brackets, two Pelvic Belt Mounting Brackets and Reinforced Frame. Please refer to the Aero Z and ZRA Transit Tie-Down Option Brochure for important information regarding the Transit Tie-Down Option. Not available with ZR.)..... **\$487**
- ZWTB **Transport Bracket Option** (Consists of four Tie-Down Brackets. Unoccupied use only. Please refer to the ZR Transport Bracket Supplement for important information regarding the Transit Options)..... **\$422**

FRAME FINISHES

- High Gloss Paint ZFF8 High Gloss Black
- Metallic Paint ZFF14 Ocean Blue Metallic

COLOR ANODIZE PACKAGE

(Color Anodize Package includes: Caster Mount, Caster Fork, and Caster Caps. If no anodize color is selected, the default will be black.)

- ZANO1 Black..... **STD**

TiFit: TAILORED INDIVIDUALIZED FRAME

Measurements shown below are our most popular selections. **Not seeing what you want?** Contact customer service or visit our Creative Mobility Division (CMD) catalog [here](#) to view additional options.

REAR SEAT WIDTH A Measure from outside of seat tube at back post to the outside of the opposite seat tube at back post.

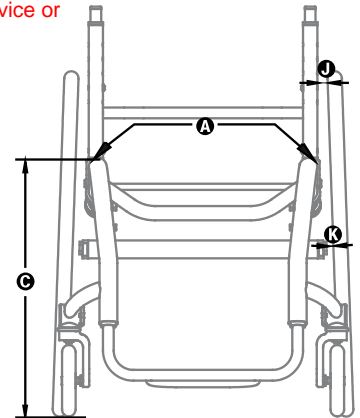
- ZSW4 10" (25.4cm) 11" (27.9cm) 12" (30.5cm) 13" (33cm) 14" (35.6cm) 15" (38.1cm) 16" (40.6cm) 17" (43.2cm) 18" (45.7cm) 19" (48.3cm)..... **STD**
- ZSW2 20" (HCPCS code only applies to 20" Rear Seat Width A)..... **\$541**

FRONT SEAT WIDTH (SEAT TAPER) T Measure from inside of front frame tube to inside of opposite front frame tube. (Required with V-Front End V. Not Available with Standard Front End I.)

- ZFSW1 No Taper (2.5" (6.4cm) Narrower than Rear Seat Width A.)..... **STD**
- ZFSW3 1.5" (3.8cm) Taper (4" (10.2cm) Narrower than Rear Seat Width A. Includes Tension Adjustable by Straps Seat Upholstery. Not available with 10" (25.54m) and 11" (27.9cm) Seat Widths A.)..... **\$306**

SEAT DEPTH B Measure from front of back post to the front edge of seat sling. Frame bend will start .5" in front of seat sling unless Custom Frame Depth is specified, or the combination of specifications affect the rolling dynamics of the chair.

- ZSD1 10" (25.4cm) 11" (27.9cm) 12" (30.5cm) 13" (33cm) 14" (35.6cm) 15" (38.1cm) 16" (40.6cm) 17" (43.2cm) 18" (45.7cm) 19" (48.3cm)..... **STD**



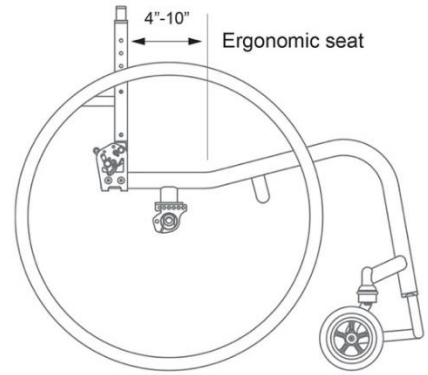
Permobil.com
2701 West Court Street / Pasco, Washington 99301
Tel 800 736 0925 or Email tilitesales@permobil.com

TiLite Z-Series Canadian Order Form – AADL #W396

- ZSD2 20" (50.8cm).....\$590
- ZSD3 Custom Frame Depth: _____" Frame Depth Longer or Shorter Than Seat Depth D (Measure from front of seat sling to beginning of frame bend. Specifications can be given as specific as 1/4" increments A negative Custom Frame Depth or specified above 3" may be available through our Creative Mobility Division. A Custom Frame Depth of 20" will have an additional charge.).....NCO

ERGONOMIC SEAT U Measure from front of back post to beginning of upward bend of seat tube.

- ZERG1 ZR Ergonomic Seat (Not available with Tension Adjustable Bolt On Seat Upholstery)
 - 5" (12.7cm) 6" (15.2cm) 7" (17.8cm) 8" (20.3cm) 9" (22.9cm).....\$465
- ZERG2 Aero Z and ZRA Ergonomic Seat (Center of Gravity adjustment may be affected by this option. Not available with V-Front or Seat Taper, Seat Back that Locks When Folded, Desk Arms, Depth Adjustable Backrests, Fold Down Rigid Sideguards, Fendered Adjustable Sideguards, Solid Seat, Tension Adjustable Bolt On Seat Upholstery, or the Curve cushion.)
 - 6" (15.2cm) (Minimum Seat Depth B 12") 7" (17.8cm) (Minimum Seat Depth B 12") 8" (20.3cm) (Minimum Seat Depth B 13")\$568

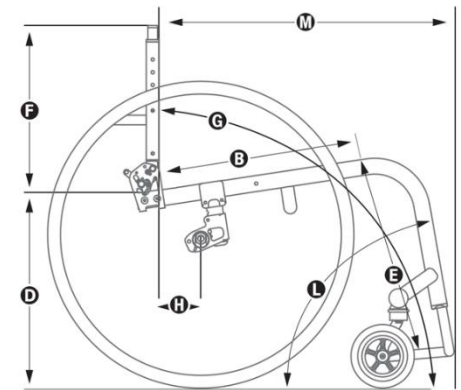


FRONT SEAT HEIGHT C Measure from floor to top of seat tube at front edge of seat sling. ZRA adjusts up and down in .5" increments.

- ZFSH1 16" (40.6cm) 16.5" (41.9cm) 17" (43.2cm) 17.5" (44.5cm) 18" (45.7cm) 18.5" (47cm) 19" (48.3cm) 19.5" (49.5cm) 20" (50.8cm) 20.5" (52.1cm) 21" (53.3cm).....STD

REAR SEAT HEIGHT D Measure from floor to top of seat tube at back post. ZRA adjusts up and down in 1/2" increments.

Rear Wheel Size	Rear Seat Height
20"	12.5" - 18.5" (31.8 - 47cm)
22"	14.0" - 19" (35.6 - 48.3cm)
24"	14.5" - 20" (36.8 - 50.8cm)
25"	14.5" - 20" (36.8 - 50.8cm)
26"	15.5" - 20" (39.4 - 50.8cm)



- ZRSH1 12.5" (31.8cm) 13" (33cm) 13.5" (34.3cm) 14" (35.6cm) 14.5" (36.8cm) 15" (38.1cm) 15.5" (39.4cm) 16" (40.6cm) 16.5" (41.9cm) 17" (43.2cm) 17.5" (44.5cm) 18" (45.7cm) 18.5" (47cm) 19" (48.3cm) 19.5" (49.5cm) 20" (50.8cm).....STD

FRONT ANGLE or OVERALL FRAME LENGTH Select one. If Overall Frame Length is selected, front angle will be bent to achieve requested length.

- TFA1 70° 75° 80° 85° L Measure from frame front to floor. (Not available with 6" Front Wheels.) 90° (Not available with 5" or 6" Front Wheels.).....STD
- TFA2 Overall Frame Length M _____" Measure from front of backrest to Front Edge of Footrest.....NCO

TiFit: TAILORED INDIVIDUALIZED FRAME

Options shown below are our most popular selections. **Not seeing what you want?** Contact customer service or visit our Creative Mobility Division (CMD) catalog [here](#) to view additional options.

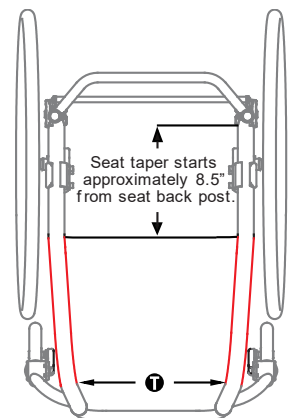
SEAT TO FOOTREST E/FOOTRESTS Measure from front edge of seat sling to top rear of footrest.

- Standard Footrests** Measurement must be at least 2" shorter than Front Seat Height C.
 - 13.5" (34.3cm) 14" (35.6cm) 14.5" (36.8cm) 15" (38.1cm) 15.5" (39.4cm) 16" (40.6cm) 16.5" (41.9cm) 17" (43.2cm) 17.5" (44.5cm) 18" (45.7cm) 18.5" (47cm) 19" (48.3cm)

- ZFTR3 Angle Adjustable Footrest.....STD
- ZFTR1 Titanium Footrest w/Flat ABS Cover.....\$219
- ZFTR2 Titanium Open Loop Footrest.....\$279
- ZFTR12 Angle Adjustable Flip-Back Footrest (Not available with 10" or 11" Rear Seat Width A, Heavy Duty Frame, ABS Cover with 2" Sides or Front Roller.).....\$257

High Mount Footrest

- 7"-9" 9"-11" 11"-13" Set at _____ (Use 1/2" increments)
- ZFTR4 Angle Adjustable High Mount Footrest.....\$160



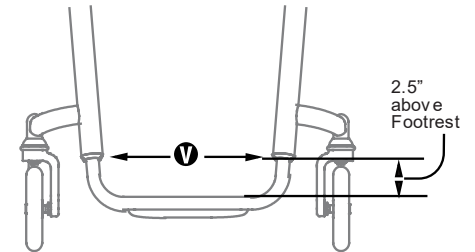
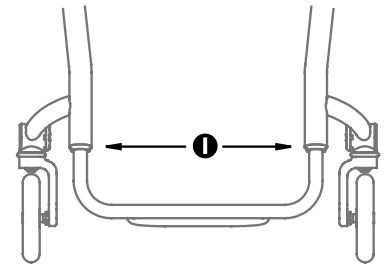
FOOTREST WIDTH I or V Select either a Standard Front End I if no Seat Taper T is selected or a V-Front End V if a Seat Taper T is selected.

STANDARD FRONT END I Find your Rear Seat Width A in the Chart below and select one of the options to the right. Measure from inside of front frame tube to inside of opposite front frame tube. (Not available with Front Seat Width (Seat Taper) T.)

- ZFE1 NO V-Front Taper (Required when both Heavy Duty Frame and Seat Taper T are selected.).....STD

TiLite Z-Series Canadian Order Form – AADL #W396

REAR SEAT WIDTH A (Outside Measurement)	FOOTREST WIDTH I		
	No Taper (2.5" Narrower than Rear Seat Width)	1.5" Taper (4" Narrower than Rear Seat Width)	3.5" Taper (6" Narrower than Rear Seat Width)
10"	<input type="checkbox"/> 7.5"		
11"	<input type="checkbox"/> 8.5"		
12"	<input type="checkbox"/> 9.5"	<input type="checkbox"/> 8"	
13"	<input type="checkbox"/> 10.5"	<input type="checkbox"/> 9"	
14"	<input type="checkbox"/> 11.5"	<input type="checkbox"/> 10"	
15"	<input type="checkbox"/> 12.5"	<input type="checkbox"/> 11"	<input type="checkbox"/> 9"
16"	<input type="checkbox"/> 13.5"	<input type="checkbox"/> 12"	<input type="checkbox"/> 10"
17"	<input type="checkbox"/> 14.5"	<input type="checkbox"/> 13"	<input type="checkbox"/> 11"
18"	<input type="checkbox"/> 15.5"	<input type="checkbox"/> 14"	<input type="checkbox"/> 12"
19"	<input type="checkbox"/> 16.5"	<input type="checkbox"/> 15"	<input type="checkbox"/> 13"
20"	<input type="checkbox"/> 17.5"	<input type="checkbox"/> 16"	<input type="checkbox"/> 14"



OR

V-FRONT END V Measure from inside of front frame tube to inside of opposite front frame tube 2-1/2" above footrest. (Required with Front Seat Taper T. Titanium Footrests have 1" of adjustment up and down. Not available with Ergonomic Seat frames.)

- ZFE2 V-Front Taper..... **NCO**
- 9" (22.9cm) 10" (25.54cm) 11" (27.9cm)
- 12" (30.5cm) 13" (33cm) 14" (35.6cm)
- 15" (38.1cm)

BACK SUPPORTS

ROHO® AGILITY® ACTIVE ALUMINUM Contour Back Support

- Shell Height 8" 10"
- SBRS14 AGILITY Active Aluminum Min Contour with Foam..... **\$979**
- SBRS15 AGILITY Active Aluminum Mid Contour with Foam..... **\$979**

ROHO® AGILITY® ACTIVE CARBON Contour Back Support (2x2 Twill Weave Carbon Fiber)

- Shell Height 10" 13" 16"
- AGILITY Carbon Min Contour Back with Foam w/ Air Insert
- SBRS7 Foam w/ Air Insert..... **\$1253**
- ACB1 AGILITY Active Carbon Upgrade (Not available with Bolt-on Push Handles)..... **\$234**
- Fixed Hardware (Not available with 18" Shell Height or Folding Chairs.)..... **NCO**
- AGILITY Carbon Mid Contour Back with Foam w/ Air Insert
- SBRS9 Foam w/ Air Insert..... **\$1278**
- ACB2 AGILITY Active Carbon Upgrade (Not available with Bolt-on Push Handles)..... **\$221**
- Fixed Hardware (Not available with 18" Shell Height or Folding Chairs.)..... **NCO**

COMFORT ACTA-EMBRACE® Back Support

- Shell Height 10" 12" 14" 16"
- SBRS16 Acta-Embrace Back with 2-PT Quick Release Compass Hardware..... **\$840**
- CPSB1 Comfort Privacy Shield..... **\$58**

COMFORT ACTA-RELIEF Back Support

- Shell Height 10" 12" 14" 16"
- SBRS13 Acta-Relief Back with 2-PT Quick Release Compass Hardware..... **\$1061**
- CPSB1 Comfort Privacy Shield..... **\$58**

BACK UPHOLSTERY (Want more seating options? [Click here](#) to view the new TiLite Seating Order Form.)

- ZBUP2 Velcro Adjustable (Not available with Fold-Down Push Handles.)..... **STD**
- Tension Adjustable by Straps** (Required with Fold-Down Push Handles.)
- ZBUP3 Padded Nylon..... **\$454**
- ZBUP5 AIR Breathable Upholstery (Not available with Ultrasuede Backrest Stripe.)..... **\$437**
- ZUPC3 Ultrasuede Backrest Stripe Black..... **\$116**
- ZBUP0 Omit Back Upholstery..... **NCO**

TiFit: TAILORED INDIVIDUALIZED FRAME

Options shown below are our most popular selections. **Not seeing what you want?** Contact customer service or visit our Creative Mobility Division (CMD) catalog [here](#) to view additional options.

SEAT BACK TYPE/PUSH HANDLES/SEAT BACK HEIGHT F Measure from top of back post to top of seat tube at rear of frame.

- ZSB1 Folding Aluminum Adjustable Height Back (Required for Heavy Duty Frame.)..... **STD**
- ZSB2 Folding Titanium Adjustable Height Back and Rounded Rigidizer Bar (Titanium back will match Frame Finish.)..... **\$323**

TiLite Z-Series Canadian Order Form – AADL #W396

TISHAFT™ BACK RELEASE BARS (Not available with Non-Folding, Fixed Height Titanium Back.)

- ZSB3 Aluminum.....**STD**
- ZSB6 2x2 Twill Weave Carbon Fiber.....**\$94**

PUSH HANDLES

- ZSB6 Integrated Push Handles.....**NCO**
- ZSB7 Integrated Fold-Down Push Handles (Requires Tension Adjustable by Straps Back Upholstery.).....**\$126**
- ZSB8 Bolt-On Push Handles (Includes 4" Deep Backrest Rigidizer Bar.).....**\$219**
- ZSB9 Bolt-On Height-Adjustable Push Handles (Includes 4" Deep Backrest Rigidizer Bar.).....**\$449**

FOLDING SEAT BACK HEIGHT F (ZSB1 and ZSB2)

Push Handles (Selected Above)	Short	Medium	Tall	Set at: (Use 1/2" increments)
None/ Bolt-On	<input type="checkbox"/> 8.5"-11.5" (24.1-31.7cm)	<input type="checkbox"/> 12"-16.5" (33.0-44.4cm)	<input type="checkbox"/> 16"-20.5" (33.0-44.4cm)	Set at: _____
Integrated	<input type="checkbox"/> 10.5"-12.5" (29.2-34.2cm)	<input type="checkbox"/> 13.5"-16.5" (36.8-44.4cm)	<input type="checkbox"/> 17.5"-20.5" (46.9-54.6cm)	Set at: _____
Integrated Fold-Down	<input type="checkbox"/> 13"-15" (35.5-40.6cm)	<input type="checkbox"/> 14.5"-18.5" (39.3-49.5cm)	<input type="checkbox"/> 18.5"-21" (49.5-55.8cm)	Set at: _____

NON-FOLDING, FIXED-HEIGHT F TITANIUM SEAT BACK with New Rounded Rigidizer Bar (ZSB15) (Titanium back will match Frame Finish. Required for fixed Side Guards. Not available with ZRA, Swing Away Tubular or Swing Away - Flip Back Tubular Armrests and Integrated Push Handles, Integrated Fold-Down Push Handles or Bolt-On Height Adjustable Push Handles.)

- 8" (20.3cm) 8.5" (21.6cm) 9" (22.9cm) 9.5" (24.1cm) 10" (25.4cm) 10.5" (26.7cm) 11" (27.9cm)
- 11.5" (29.2cm) 12" (30.5cm) 12.5" (31.8cm) 13" (33cm) 13.5" (34.3cm) 14" (35.6) 14.5" (36.8cm)
- 15" (38.1cm) 15.5" (39.4cm) 16" (40.6cm) 16.5" (41.9cm) 17" (43.2cm) 17.5" (44.5cm) 18" (45.7cm)
- 18.5" (47cm) 19" (48.3cm) 19.5"(49.5cm) 20" (50.8cm)

AVAILABLE ON ALL BACKS

- ZSB11 Backrest that Locks when Folded (Not available with Ergonomic Seat.).....**STD**
- ZSB12 4" (10 cm) Deep Backrest Rigidizer Bar (Required with Heavy Duty Frame. Not available with a Non-Folding, Fixed Height Titanium Seat Back Type. 4" Deep Rigidizer Bar is NOT a rounded style rigidizer bar.).....**NCO**
- ZSB16 Depth Adjustable Back/Frame (Seat Depths B of 10"-18" allow 2" of rearward adjustment. Height Adjustable Push Handles have a limited height range with Depth Adjustable Back. Not Available with 19" or 20" Seat Depths B, Heavy Duty Frame, Tension Adjustable By Straps Seat Upholstery or Carbon Fiber Side Guards.).....**\$279**

SEAT BACK ANGLE G Measure angle from front of back post to floor.

- ZSBA1 **Folding Back**
- 80° 83° 86° 89° 92° 95° 98° 101°.....**STD**

CENTER OF GRAVITY H Measure from front of back post at the seat tube to the center of the rear axle. If no center of gravity is selected, chair will ship with the center of gravity in the rearward-most position.

- ZCOG1 0" .25" (.6cm) .5" (1.3cm) .75" (1.9cm) 1" (2.5cm) 1.25" (3.2cm) 1.5" (3.8cm) 1.75" (4.4cm)
- 2" (5.1cm) 2.25" (5.7cm) 2.5" (6.4cm) 2.75" (7cm) 3" (7.6cm) 3.25" (8.3cm) 3.5" (8.9cm)
- 3.75" (9.5cm) 4" (10.2cm) 4.25" (10.8cm) 4.5" (11.4cm) 4.75" (12.1cm) 5" (12.7cm).....**STD**

REAR WHEEL SPACING J/PLUGS Measure from outside of seat back post to inside of rear tire. Ergonomic Seat selection may limit available center of gravity.

- ZRWS1 .75" (1.9cm) 1" (2.5cm) 1.25" (3.2cm)**STD**
- ZCBR12 Adjustable Rear Wheel Spacing Camber Plugs (Not available with Power Adaptable Frame.).....**STD**
- ZCBR9 Additional Spacers to Increase Rear Wheel Spacing.....**NCO**
- ZCBR11 Zero Play Aluminum Camber Plugs (Not available with Power Adaptable Frame or more than 6° of Camber K.).....**NCO**

CUSTOM CONFIGURATION OPTIONS

CAMBER K/CAMBER TUBES

- ZCBR1 0° 2° 4° 6° (More than 0° of Camber K is not available with the Power Adaptable Frame. 8° of Camber K may be available through our Creative Mobility Division.).....**STD**
- ZCBR15 Aluminum Camber Tube.....**STD**
- ZCBR3 Titanium Camber Tube (Not available with Power Adaptable Frame.).....**\$236**

TiFit: TAILORED INDIVIDUALIZED FRAME

SEAT UPHOLSTERY

- ZSUP1 Tension Adjustable Bolt On (Not available with Ergonomic Seat or Tapered Seat T. Black only.).....**STD**
- ZSUP2 Tension Adjustable by Straps (Standard with Ergonomic Seat and Front Seat Width (Seat Taper) T of 1", 2" or 3". Black upholstery only.).....**\$203**
- ZSUP8 Aluminum Solid Seat (Not available with 10" or 11" Rear Seat Width A, Ergonomic Seat U requires CMD 016).....**\$312**
- ZSUPO Omit Seat.....**NCO**

SEAT CUSHION (Want more seating options? [Click here](#) to view the new TiLite Seating Order Form.)

- ZCSH2 Comfort Curve Cushion (Stretch-Air cover).....**\$150**
- ZCSH23 Comfort Acta-Embrace™ Comfort-Tek Zero Elevation Cushion.....**\$522**
- ZCSH11 ROHO® Single Compartment (Fits seat widths 14" to 19") Profile: Low Mid High.....**\$711**
- ZCSH14 ROHO® QUADTRO SELECT® Cushion (Fits seat widths 14" to 19") Profile: Low Mid High.....**\$711**
- ZCSH16 ROHO® Hybrid Select (Fits seat widths 14" to 18", and 20").....**\$756**

TiLite Z-Series Canadian Order Form – AADL #W396

FRONT WHEELS

ZFW24	<input type="checkbox"/> 3"x1.5" LiteSpeed Billet Aluminum Wheel w/Soft Roll Tire <input type="checkbox"/> Silver Hub OR <input type="checkbox"/> Black Hub.....	\$197
ZFW14	<input type="checkbox"/> 4"x.75" Plastic Wheel w/Poly Tire (Not available with Slipstream Fork, Glide™ Single-Sided Fork or Power Adaptable Frame.).....	NCO
ZFW3	<input type="checkbox"/> 4"x.75" Light-Up Micro-Caster (Not available with Slipstream Fork, Glide™ Single-Sided Fork or Power Adaptable Frame.).....	\$88
ZFW26	<input type="checkbox"/> 4"x1.5" LiteSpeed Plastic Wheel w/Soft Roll Tire (Not available with Power Assist, Power Add-on System or Heavy Duty Frame.).....	\$104
ZFW27	<input type="checkbox"/> 4"x1.5" LiteSpeed Billet Aluminum Wheel w/Soft Roll Tire <input type="checkbox"/> Silver Hub OR <input type="checkbox"/> Black Hub.....	\$208
ZFW6	<input type="checkbox"/> 5"x1" Plastic Wheel w/Poly Tire (Not available with 90° Front Angle L, Slipstream Fork, Glide™ Single-Sided Fork or Power Adaptable Frame.).....	NCO
ZFW28	<input type="checkbox"/> 5"x1.5" LiteSpeed Plastic Wheel w/Soft Roll Tire (Not available with 90° Front Angle L or Power Adaptable Frame.).....	\$104
ZFW30	<input type="checkbox"/> 5"x1.5" LiteSpeed Billet Aluminum Wheel w/Soft Roll Tire <input type="checkbox"/> Silver Hub OR <input type="checkbox"/> Black Hub (Not available with 90° Front Angle L.).....	\$274
ZFW9	<input type="checkbox"/> 6"x1" Plastic Wheel w/Poly Tire (Not available with 85° or 90° Front Angle L, Slipstream Fork, Glide™ Single-Sided Fork or Power Adaptable Frame.).....	NCO
ZFW32	<input type="checkbox"/> 6"x1.5" LiteSpeed Plastic Wheel w/Soft Roll Tire (Not available with 85° or 90° Front Angle L, Slipstream Fork, Glide™ Single-Sided Fork or Power Adaptable Frame.).....	\$110
ZFW33	<input type="checkbox"/> 6"x1.5" LiteSpeed Billet Aluminum Wheel w/Soft Roll Tire <input type="checkbox"/> Silver Hub OR <input type="checkbox"/> Black Hub (Not available with 85° or 90° Front Angle L, Slipstream Fork, Glide™ Single-Sided Fork.).....	\$274

PRECISION LOCK FRONT FORKS

ZFK1	<input type="checkbox"/> TiLite Standard Fork.....	STD
ZFK2	<input type="checkbox"/> TiLite Slipstream Single-Sided Fork (Not available with Heavy Duty Frame or Power Adaptable Frame.).....	\$203
ZGL1	<input type="checkbox"/> Glide™ Suspension Fork (Black anodize only. Not available with Heavy Duty Frame.).....	\$596
	Rider's Weight: <input type="checkbox"/> 125 lbs. <input type="checkbox"/> 125-180 lbs. <input type="checkbox"/> 180-265 lbs.	
ZTFS1	<input type="checkbox"/> Titanium Fork Stem.....	\$66

STANDARD REAR WHEELS (See Rear Seat Height Ranges Chart for Rear Seat Height D limitations.)

ZRW14	TiLite SHADOW™.....	STD
	<input type="checkbox"/> 20"(451)	
	<input type="checkbox"/> 22"(501)	
	<input type="checkbox"/> 24"(540)	
	<input type="checkbox"/> 25"(559) (Requires 15" minimum Seat Depth B.)	
	<input type="checkbox"/> 26"(590) (Requires 15" minimum Seat Depth B.)	

PERFORMANCE REAR WHEELS (See Rear Seat Height Ranges Chart for Rear Seat Height D limitations.)

ZRW7	Spinergy SPOX <input type="checkbox"/> Black <input type="checkbox"/> Red <input type="checkbox"/> Blue <input type="checkbox"/> White <input type="checkbox"/> Orange <input type="checkbox"/> Pink <input type="checkbox"/> Purple <input type="checkbox"/> Green (Orange, Pink, Purple And Green only available in 20" size.).....	\$983
	<input type="checkbox"/> 20"(451) - Std. Hub	
	<input type="checkbox"/> 22"(501) - Std. Hub	
	<input type="checkbox"/> 22"(501) - Std. Hub	
	<input type="checkbox"/> 24"(540) - Std. Hub	
	<input type="checkbox"/> 25"(559) - Std. Hub (Requires 15" minimum Seat Depth B.)	
	<input type="checkbox"/> 26"(590) - Std. Hub (Requires 15" minimum Seat Depth B.)	
ZRW8	Spinergy LX <input type="checkbox"/> Black <input type="checkbox"/> Red <input type="checkbox"/> Blue <input type="checkbox"/> White <input type="checkbox"/> Bright Orange <input type="checkbox"/> Flamingo Pink <input type="checkbox"/> Purple <input type="checkbox"/> Green.....	\$1153
	<input type="checkbox"/> 22"(501) - Std. Hub	
	<input type="checkbox"/> 24"(540) - Std. Hub	
	<input type="checkbox"/> 25"(559) - Std. Hub (Requires 15" minimum Seat Depth B.)	
	<input type="checkbox"/> 26"(590) - Std. Hub (Requires 15" minimum Seat Depth B. Not available with Quad Release Axles.) 1260, 1540	
ZRW9	Spinergy Design Lab LX Wheels (If same color is selected, anodized hubs and rims match color anodized package on page 1. Available with black spokes only.)	
	<input type="checkbox"/> Gold Anodize <input type="checkbox"/> Green Anodize <input type="checkbox"/> Blue Anodize <input type="checkbox"/> Red Anodize <input type="checkbox"/> Purple Anodize <input type="checkbox"/> Orange Anodize.....	\$1928
	<input type="checkbox"/> 22"(501) - Std. Hub	
	<input type="checkbox"/> 24"(540) - Std. Hub	
	<input type="checkbox"/> 25"(559) - Std. Hub (Requires 15" minimum Seat Depth B.)	
	<input type="checkbox"/> 26"(590) - Std. Hub (Requires 15" minimum Seat Depth B.)	
ZRW16	Spinergy® Carbon Blade with 2x2 Twill Weave Carbon Fiber (Not available with Heavy Duty Frame.).....	\$1682
	<input type="checkbox"/> 24"(540)	
	<input type="checkbox"/> 25"(559) (Requires 15" minimum Seat Depth B.)	
ZRW17	X-Core Mag (Not available with Heavy Duty Frame, Short Tabs, Quad Release Axles, Spoke Guards or Omit Handrims Option. Requires Aluminum Sliver Anodized Handrims.).....	\$121
	<input type="checkbox"/> 20"(451)	
	<input type="checkbox"/> 22"(501) <input type="checkbox"/> 24"(540)	

AXLES

ZAXL1	<input type="checkbox"/> Stainless Quick Release.....	STD
ZAXL2	<input type="checkbox"/> Titanium Quick Release.....	\$318
ZAXL3	<input type="checkbox"/> Quad Release (Not available with Mag or 26"(590) Spinergy Spox or LX Rear Wheels.).....	\$187

TiLite Z-Series Canadian Order Form – AADL #W396

Effective Jan 2023 (New Items in Red)

MONO-TUBE RIGID FRAME

Page 6 of 8

PNEUMATIC REAR TIRES

ZRTR1	<input type="checkbox"/> Treaded 22"(501), 24"(540), and 26"(590)	STD
ZRTR2	<input type="checkbox"/> Airless Inserts (Not available with Spinerger Carbon Blade Rear Wheels.)	\$99
ZRTR31	<input checked="" type="checkbox"/> MBL SpeedLite 20"(451), 22"(501), 24"(540), 25"(559) and 26"(590)	STD
ZRTR30	<input type="checkbox"/> 24"(540), 25"(559) and 26"(590) Primo Sentinel	\$175
ZRTR8	<input type="checkbox"/> 24"(540), 25"(559) and 26"(590) Schwalbe® Marathon Plus Evolution	\$170
ZRTR32	<input checked="" type="checkbox"/> 24"(540) Primo C-763 Knobby	\$106

SOLID REAR TIRES (Not available with Spinerger Carbon Blade Rear Wheels.)

ZRTR22	<input type="checkbox"/> 20"(451), 22"(501), 24"(540) and 25"(559) Primo Express	\$121
ZRTR23	<input type="checkbox"/> 24"(540) and 25"(559) Primo Active	\$148

HANDRIMS

ZRIM1	<input type="checkbox"/> Aluminum – Silver Anodized	STD
ZRIM21	<input type="checkbox"/> Aluminum – Black Anodized	\$66
ZRIM12	<input type="checkbox"/> Titanium – Satin Finish (Not available with 20"(451) or 22"(501) Rear Wheels, or 24"(540) Knobby tires.)	\$536
ZRIM10	<input type="checkbox"/> The Surge (All-In-One Oval with Gription™ Strip, Larger Profile) (Not available with 20"(451) Rear Wheels.)	\$476
ZRIM11	<input type="checkbox"/> The Surge LT (All-In-One Oval with Gription™ Strip, Smaller Profile) (Not available with 20"(451) Rear Wheels.)	\$514
ZRIM20	<input type="checkbox"/> Q-Grip (Exclusive High-Friction, Anti-Slip Coating) (Not available with 20"(451) Rear Wheels.)	\$410
The Natural-Fit® (Original, Larger Profile) (Not available with 20"(451) Rear Wheels.)		
ZRIM14	<input type="checkbox"/> Standard Grip (Not available with Short Tabs or Spinerger Carbon Blade Rear Wheels.)	\$454
ZRIM15	<input type="checkbox"/> Super Grip (Not available with Short Tabs or Spinerger Carbon Blade Rear Wheels.)	\$514
ZRIM16	<input type="checkbox"/> Without Thumb Grip	\$415
The Natural-Fit® LT (Reduced Weight, Smaller Profile) (Not available with 20"(451) Rear Wheels.)		
ZRIM17	<input type="checkbox"/> Standard Grip (Not available with Short Tabs or Spinerger Carbon Blade Rear Wheels.)	\$546
ZRIM18	<input type="checkbox"/> Super Grip (Not available with Short Tabs or Spinerger Carbon Blade Rear Wheels.)	\$585
ZRIM19	<input type="checkbox"/> Without Thumb Grip	\$503

Additional Handrim Options

ZRIM5	<input type="checkbox"/> Plastic Coated – Black	\$175
ZRIM22	<input type="checkbox"/> Omit Handrims	NCO

Tab Length

ZRIM7	<input type="checkbox"/> Long Tabs	STD
ZRIM8	<input type="checkbox"/> Short Tabs (Not available with Mag Rear Wheels or The Natural-Fit® Handrims with Thumb Grip.)	\$39

WHEEL LOCKS

ZWLK7	<input type="checkbox"/> Compact Composite Push to Lock (Available with .75" to 1.5" Rear Wheel Spacing) only.)	NCO
ZWLK8	<input type="checkbox"/> Compact Composite Pull to Lock (Available with .75" to 1.5" Rear Wheel Spacing) only.)	NCO
Z2WLK10	<input type="checkbox"/> Extension Handles for Compact Composite Push/Pull to Lock	\$94

Additional Wheel Locks

ZWLK11	<input type="checkbox"/> MBL Composite Scissor Lock	\$225
ZWLK3	Uni-Lock Set At: <input type="checkbox"/> Push OR <input type="checkbox"/> Pull	\$181
ZWLK4	<input type="checkbox"/> Extension Handles for Uni-Lock	\$94
ZWLK15	<input type="checkbox"/> Grade Aids Push to Lock (Not available with solid rear tires)	\$252

CUSTOM CONFIGURATION OPTIONS

SIDE GUARDS

Aluminum

ZSDG2	<input type="checkbox"/> Rigid Removable	<input type="checkbox"/> Small OR <input type="checkbox"/> Std	\$318
ZSDG3	<input type="checkbox"/> Quad Removable w/Hole	<input type="checkbox"/> Small OR <input type="checkbox"/> Std	\$345
ZSDG4	<input type="checkbox"/> Fold Down Rigid	<input type="checkbox"/> Small OR <input type="checkbox"/> Std (Not available with Ergonomic Seat.)	\$410
ZSDG6	<input type="checkbox"/> Fendered Adjustable (Available with 24" and 25" Rear Wheels. Requires Rear Seat Height D of 14.5" to 18.5")		\$437

2x2 Twill Weave Carbon Fiber

ZSDG7	<input type="checkbox"/> Rigid Removable	<input type="checkbox"/> Small OR <input type="checkbox"/> Std	\$372
ZSDG8	<input type="checkbox"/> Quad Removable w/Hole	<input type="checkbox"/> Small OR <input type="checkbox"/> Std	\$410
ZSDG9	<input type="checkbox"/> Fold Down Rigid	<input type="checkbox"/> Small OR <input type="checkbox"/> Std (Not available with Ergonomic Seat.)	\$558
ZSDG12	<input type="checkbox"/> Fendered Removable		\$650

Available on Aluminum and Carbon Fiber Non-Fendered Side Guards

ZSDG13	<input type="checkbox"/> Side Guards Custom Cut to Profile of Rear Wheels	\$345
--------	---	-------

ARMRESTS (Desk Arms come with built-in Side Guards.)

ZARM1	Swing Away Tubular <input type="checkbox"/> 6.5" to 9.5" OR <input type="checkbox"/> 9.5" to 12.5" (Not Available with Heavy Duty Frame or Height Adjustable Push Handles.)	\$284
ZARM4	<input type="checkbox"/> Swing Away Height Adjustable 8.5" to 11.5" - Flip Back Tubular (Not Available with Heavy Duty Frame.)	\$345

TiLite Z-Series Canadian Order Form – AADL #W396

ZARM2	Removable Height Adjustable Desk Arm with Rigid Side Guard <i>(Requires 14" minimum Seat Depth B. Not available with Ergonomic Seat.)</i>	\$394
	<input type="checkbox"/> 9" to 12" (22.9 to 30.5cm) OR <input type="checkbox"/> 12" to 15" (30.5-38.1cm)	
	<input type="checkbox"/> Standard Length Pad (10" (25.5cm)) OR <input type="checkbox"/> Full Length Pad (14" (35.5cm))	
ZARM3	Removable Height Adjustable Desk Arm with Rigid Side Guard and Transfer Loop <i>(Requires 15" minimum Seat Depth B. Not Available with Ergonomic Seat.)</i>	\$410
	<input type="checkbox"/> 9" to 12" (22.9 to 30.5cm) OR <input type="checkbox"/> 12" to 15" (30.5-38.1cm)	
	<input type="checkbox"/> Standard Length Pad (10" (25.5cm)) OR <input type="checkbox"/> Full Length Pad (14" (35.5cm))	

Available Armrest Option

ZARM5	<input type="checkbox"/> Covered in Black Ultrasuede <i>(Not available with Desk Arms)</i>	\$126
-------	--	-------

SEAT BELTS

ZBLT1	<input type="checkbox"/> Velcro Adjustable, Black Nylon Webbing.....	\$61
ZBLT2	<input type="checkbox"/> Bodypoint® 2" Push-Button Buckle (Auto-Style.).....	\$104
ZBLT4	<input type="checkbox"/> Bodypoint® 1" Wide Push-Button Buckle Padded (Auto-Style.) <i>(Not available with 19" or 20" Rear Seat Widths A.)</i>	\$187
ZBLT5	<input type="checkbox"/> Bodypoint® 1.5" Wide Push-Button Buckle Padded (Auto-Style.) <i>(Not available with 19" or 20" Rear Seat Widths A.)</i>	\$187
ZBLT8	<input type="checkbox"/> Q'Straint® WC-19 Wheelchair-Anchored Pelvic Belt <i>(Recommended for use with Transit Tie Down. Not Available with ZR.)</i>	\$219
ZBLT10	<input type="checkbox"/> Bodypoint® Optional Band Clamp Mounting Hardware.....	\$22
ZBLT16	<input type="checkbox"/> Bodypoint® EvoFlex® Pelvic Stabilizer Push Button.....	\$263

CALF STRAP

ZCLF2	Velcro Adjustable.....	\$50
	<input type="checkbox"/> Xtra Small <i>(Recommended for 6" - 9" Footrest Widths.)</i>	
	<input type="checkbox"/> Small <i>(Recommended for 9" - 12" Footrest Widths.)</i>	
	<input type="checkbox"/> Medium <i>(Recommended for 11" - 15" Footrest Widths.)</i>	
	<input type="checkbox"/> Large <i>(Recommended for 14" - 17" Footrest Widths.)</i>	
	<input type="checkbox"/> Xtra Large <i>(Recommended for 16" - 19" Footrest Widths.)</i>	
ZCLF3	Bodypoint® Padded Velcro Adjustable.....	\$88
	<input type="checkbox"/> Small <i>(Recommended for 8" - 11" Footrest Widths.)</i>	
	<input type="checkbox"/> Medium <i>(Recommended for 11" - 15" Footrest Widths.)</i>	
	<input type="checkbox"/> Large <i>(Recommended for 16" - 19" Footrest Widths.)</i>	
ZCLF1	<input type="checkbox"/> Buckle Adjustable, Black Nylon Webbing.....	\$34

RESIDUAL LIMB SUPPORT

ZRSL1	<input type="checkbox"/> Residual Limb Support <input type="checkbox"/> Left OR <input type="checkbox"/> Right (8" width x 10" length).....	\$563
ZRSL2	<input type="checkbox"/> Residual Limb Support Pair (8" width x 10" length).....	\$1126

BACKPACK

ZBCK3	<input type="checkbox"/> Black Permobil Backpack.....	\$104
-------	---	-------

SEAT POUCH

ZPCH3	<input type="checkbox"/> Black Permobil Seat Pouch.....	\$66
ZPCH4	<input type="checkbox"/> Bodypoint® Mobility Bag.....	\$143

SPOKE GUARDS

ZGRD1	<input type="checkbox"/> Clear Lexan with TiMotion Logo <i>(Not available with Mag Rear Wheels.)</i>	\$148
-------	--	-------

CUSTOM CONFIGURATION OPTIONS

ANTI-TIPS

ZTIP1	<input type="checkbox"/> Rear Aluminum - Black.....	\$214
ZTIP7	<input type="checkbox"/> Black Aluminum Single.....	\$110
	Mount on <input type="checkbox"/> Left Side or <input type="checkbox"/> Right Side.....	NCO
ZTIP2	<input type="checkbox"/> User Friendly Flip-up Pair.....	\$394
ZTIP8	<input type="checkbox"/> User Friendly Flip-up Single.....	\$187
	Mount on <input type="checkbox"/> Left Side or <input type="checkbox"/> Right Side.....	NCO

ACCESSORIES

ZUEST1	Upper Extremity Support Tray <input type="checkbox"/> 12" to 14" OR <input type="checkbox"/> 13" to 15" Seat Widths A <i>(Requires Armrests.)</i>	\$318
ZLUG1	<input type="checkbox"/> Luggage Carriers.....	\$160
ZMPCT2	Neoprene Impact Guards with Ultrasuede Stripe <input type="checkbox"/> Black.....	\$116
ZCH1	<input type="checkbox"/> Crutch Holder.....	\$160

TiLite Z-Series Canadian Order Form – AADL #W396

Effective Jan 2023 (New Items in Red)

MONO-TUBE RIGID FRAME

Page 8 of 8

GENERAL

More options and frame modifications may be available through our Creative Mobility Division! Please contact customer service for details or [click here](#) to view options.

Permobil manufactures TiLite manual wheelchairs in a wide variety of configurations to meet the varied needs of wheelchair users. The final selection of a particular model, its options and accessories, and its measurements rests solely with the wheelchair user and advising healthcare professional. These wheelchairs must be fitted by a qualified healthcare professional.

Get the latest order forms at permobilus.com. Prices, standard features, options and accessories are subject to change without notice. All rights reserved. Trademarks are identified by symbols™ and ©. TiLite, TiFit, the TiLite logo, Ti, the Ti logo, and TiShaft are registered trademarks of TiSport, LLC and are licensed to Permobil. Permobil® is a registered trademark of Permobil. Adobe®, Acrobat®, Acrobat Professional® and Reader® are registered trademarks of Adobe Systems Inc. Bodypoint® is a registered trademark of Bodypoint Inc. Kenda® is a registered trademark of Kenda Rubber Industrial Co. Ltd. ROHO®, AGILITY®, Low Profile® and Quadro Select® are registered trademarks of ROHO Inc. Schwalbe® is a registered trademark of Ralf Bohle GmbH. The Natural-Fit® and Out-Front® are registered trademarks of Three Rivers Holdings, LLC. The ACTA-BACK®, ACTA-EMBRACE™, COMFORT-TEK™, COMPASS®, CURVE®, ELEMENTS®, and STRETCH AIR™ are registered trademarks of THE COMFORT COMPANY® and are licensed to Permobil. Q'Straint® is a registered trademark of Q'Straint Inc.

NOTES

QUOTE THIS CHAIR

If you are using Adobe Acrobat, this order form may be converted into a quote request or into an order by clicking one of the buttons (this feature is available exclusively to Permobil dealers and distributors). A Quote or an Order Confirmation will be sent to you within 24 hours.

ORDER THIS CHAIR

IMEDmobility