





Discount is 10%

AADL# W849
Effective October 1, 2023



| Client Information | | | | |
|--|---|---------------------------------------|------------------------------|-----------------------------|
|  5711- Calgary Trail NW Edmonton AB T6H 2K1 P:780-437-3300 • F:780-430-9381 AADL Vendor # 0000612578-001 | P.O. #: | | | |
| | First Name: | | | |
| | | | | |
| | | | | |
| | | | | |
| Email address: | | Fax: | | |
| <input type="checkbox"/> Price Specification <input type="checkbox"/> Technical Specification |  | Order confirmation by email | Yes <input type="checkbox"/> | No <input type="checkbox"/> |
| | | Subscribe to Physipro™ newsletter | Yes <input type="checkbox"/> | No <input type="checkbox"/> |
| | | Factory installation of postural aids | Yes <input type="checkbox"/> | No <input type="checkbox"/> |

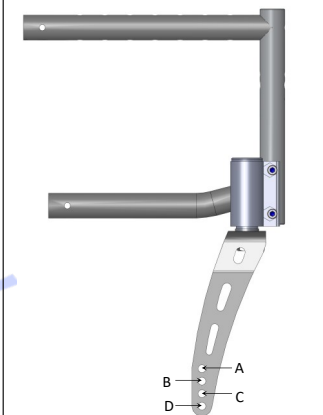
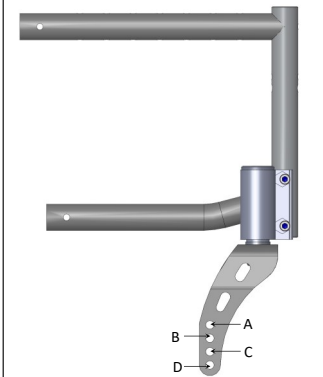
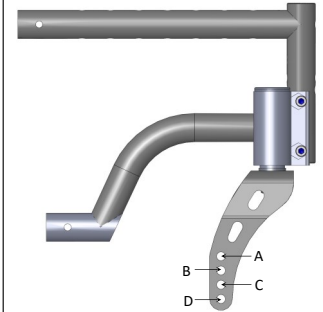
| XL5 MODEL | | | | | | | | |
|-----------------------------|--|------------------------------|------------------------------|------------------------------|--|--------------------------|--------------------|--------------------------|
| PRODUCT | DESCRIPTION | | | | CODE | PRICE | CHOICE | |
| XL5 | Folding manual wheelchair with single crossbar. For seat widths between 14" and 20". Maximum load capacity of 265 lbs. | | | |  CRASH TEST CERTIFIED | XL5-01 | \$2125 | <input type="checkbox"/> |
| → | Please select the desired frame color. | | | | Glossy Black | <input type="checkbox"/> | Secure Blue | <input type="checkbox"/> |
| XL5 SEAT STRUCTURE | | | | | | | | |
| Effective Seat Width | 14" <input type="checkbox"/> | 15" <input type="checkbox"/> | 16" <input type="checkbox"/> | 17" <input type="checkbox"/> | 18" <input type="checkbox"/> | XL- | N/C | ← |
| | 19" <input type="checkbox"/> | 20" <input type="checkbox"/> | | | | | \$275 | |
| Effective Seat Depth | 14" <input type="checkbox"/> | 15" <input type="checkbox"/> | 16" <input type="checkbox"/> | 17" <input type="checkbox"/> | 18" <input type="checkbox"/> | - | N/C | ← |
| | 19" <input type="checkbox"/> | 20" <input type="checkbox"/> | 21" <input type="checkbox"/> | 22" <input type="checkbox"/> | | | \$165 | |

| XL5 HD MODEL | | | | | | | | |
|-----------------------------|--|------------------------------|------------------------------|------------------------------|--|--------------------------|------------------------------|--------------------------|
| PRODUCT | DESCRIPTION | | | | CODE | PRICE | CHOICE | |
| XL5 HD | Folding manual wheelchair with double crossbar. For seat widths between 16" and 24". Maximum load capacity of 350 lbs. Recommended for bariatric users or for users that may have involuntary muscle spasms. | | | |  CRASH TEST CERTIFIED | XLRF-01 | \$2385 | <input type="checkbox"/> |
| → | Please select the desired frame color. | | | | Glossy Black | <input type="checkbox"/> | Secure Blue | <input type="checkbox"/> |
| XL5 HD SEAT STRUCTURE | | | | | | | | |
| Effective Seat Width | 16" <input type="checkbox"/> | 17" <input type="checkbox"/> | 18" <input type="checkbox"/> | | | XL- | N/C | ← |
| | 19" <input type="checkbox"/> | 20" <input type="checkbox"/> | 21" <input type="checkbox"/> | 22" <input type="checkbox"/> | 23" <input type="checkbox"/> | | 24" <input type="checkbox"/> | |
| Effective Seat Depth | 14" <input type="checkbox"/> | 15" <input type="checkbox"/> | 16" <input type="checkbox"/> | 17" <input type="checkbox"/> | 18" <input type="checkbox"/> | - | N/C | ← |
| | 19" <input type="checkbox"/> | 20" <input type="checkbox"/> | 21" <input type="checkbox"/> | 22" <input type="checkbox"/> | | | \$165 | |

| SEAT BASE OPTION | | | | | | |
|-------------------|---|--|--|--------------------------|-----|--------------------------|
| Sling Seat | Tension adjustable nylon sling seat with two 2-inch Velcro « Hook » bands | | | \$1520-... \$1525-... | N/C | <input type="checkbox"/> |

FRONT SEAT-TO-FLOOR HEIGHT TABLES (according to the type of wheelchair frame and forks)

| XL5 & XL5 HD STANDARD CROSS BRACE | | | | | XL5 & XL5 HD INTEGRATED CROSS BRACE | | | | |
|--------------------------------------|--------|--------|--------|--------|--|--------|--------|--------|--------|
| Hemi Frame—Short Fork | | | | | Hemi Frame—Short Fork | | | | |
| CASTER WHEEL DIAMETER | | | | | CASTER WHEEL DIAMETER | | | | |
| POSITION | 5" | 6" | 7" | 8" | POSITION | 5" | 6" | 7" | 8" |
| A | | | | | A | | | | |
| B | 13 □ | 13 ½ □ | | | B | 11 ½ □ | 12 □ | | |
| C | 13 ½ □ | 14 □ | 14 ½ □ | | C | 12 □ | 12 ½ □ | 13 □ | |
| D | 14 □ | 14 ½ □ | 15 □ | 15 ½ □ | D | 12 ½ □ | 13 □ | 13 ½ □ | 14 □ |
| Standard Frame—Short Fork | | | | | Standard Frame—Short Fork | | | | |
| CASTER WHEEL DIAMETER | | | | | CASTER WHEEL DIAMETER | | | | |
| POSITION | 5" | 6" | 7" | 8" | POSITION | 5" | 6" | 7" | 8" |
| A | 15 ½ □ | | | | A | 14 □ | | | |
| B | 16 □ | 16 ½ □ | | | B | 14 ½ □ | 15 □ | | |
| C | 16 ½ □ | 17 □ | 17 ½ □ | | C | 15 □ | 15 ½ □ | 16 □ | |
| D | 17 □ | 17 ½ □ | 18 □ | 18 ½ □ | D | 15 ½ □ | 16 □ | 16 ½ □ | 17 □ |
| Standard Frame—Long Fork | | | | | Standard Frame—Long Fork | | | | |
| CASTER WHEEL DIAMETER | | | | | CASTER WHEEL DIAMETER | | | | |
| POSITION | 5" | 6" | 7" | 8" | POSITION | 5" | 6" | 7" | 8" |
| A | 18 □ | 18 ½ □ | 19 □ | 19 ½ □ | A | 16 ½ □ | 17 □ | 17 ½ □ | 18 □ |
| B | 18 ½ □ | 19 □ | 19 ½ □ | 20 □ | B | 17 □ | 17 ½ □ | 18 □ | 18 ½ □ |
| C | 19 □ | 19 ½ □ | 20 □ | 20 ½ □ | C | 17 ½ □ | 18 □ | 18 ½ □ | 19 □ |
| D | 19 ½ □ | 20 □ | 20 ½ □ | 21 □ | D | 18 □ | 18 ½ □ | 19 □ | 19 ½ □ |

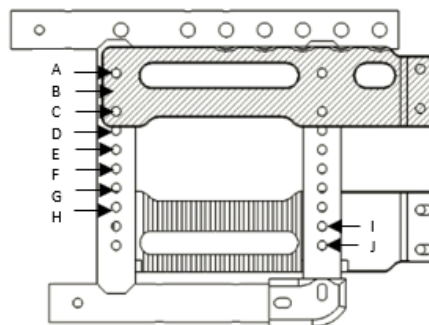


| CASTER WHEELS | | | | | | | |
|--------------------------|---|-------------|-------------|-------------|-------|------------|------------|
| Note | Please ensure the selected caster wheel corresponds with the selection made in the front seat-to-floor height tables. | | | | | | |
| PRODUCT | DESCRIPTION | | | CODE | PRICE | CHOICE | |
| Caster Wheels | Polyurethane | 5" x 1 ½" □ | 6" x 1 ½" □ | 8" x 1 ½" □ | WHUN- | N/C | ← |
| | | 8" x 1 ¼" □ | | | | | \$100 Pair |
| | Pneumatic | 5" x 1" □ | 6" x 1" □ | 7" x 1" □ | WHUG- | \$125 Pair | ← |
| | | 6" x 1 ¼" □ | | | | | |

REAR SEAT-TO-FLOOR HEIGHT INFORMATION TABLES

The XL5 & XL5 HD offers 10 seat-to-floor height adjustment positions by increments of 1/2".

The following tables indicate the position needed to obtain the desired seat-to-floor height, according to the chosen propulsion wheel diameter.



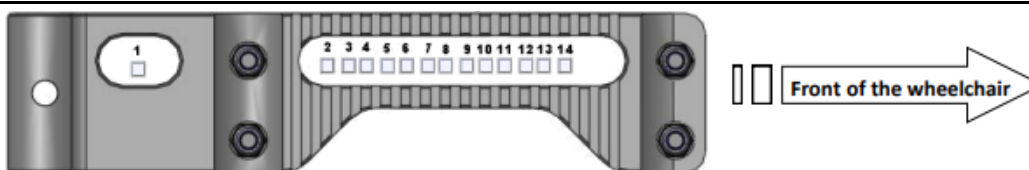
| XL5 & XL5 HD | Standard Cross Brace | | | XL5 & XL5 HD | Integrated Cross Brace | | |
|--------------|-------------------------------------|-------------------------------------|-------------------------------------|--------------|-------------------------------------|-------------------------------------|-------------------------------------|
| | Propulsion Wheel Diameter | | | | Propulsion Wheel Diameter | | |
| | 20" | 22" | 24" | | 20" | 22" | 24" |
| A | 13" <input type="checkbox"/> | 14" <input type="checkbox"/> | 15" <input type="checkbox"/> | A | 11 1/2" <input type="checkbox"/> | 12 1/2" <input type="checkbox"/> | 13 1/2" <input type="checkbox"/> |
| B | 13 1/2" <input type="checkbox"/> | 14 1/2" <input type="checkbox"/> | 15 1/2" <input type="checkbox"/> | B | 12" <input type="checkbox"/> | 13" <input type="checkbox"/> | 14" <input type="checkbox"/> |
| C | 14" <input type="checkbox"/> | 15" <input type="checkbox"/> | 16" <input type="checkbox"/> | C | 12 1/2" <input type="checkbox"/> | 13 1/2" <input type="checkbox"/> | 14 1/2" <input type="checkbox"/> |
| D | 14 1/2" <input type="checkbox"/> | 15 1/2" <input type="checkbox"/> | 16 1/2" <input type="checkbox"/> | D | 13" <input type="checkbox"/> | 14" <input type="checkbox"/> | 15" <input type="checkbox"/> |
| E | 15" <input type="checkbox"/> | 16" <input type="checkbox"/> | 17" <input type="checkbox"/> | E | 13 1/2" <input type="checkbox"/> | 14 1/2" <input type="checkbox"/> | 15 1/2" <input type="checkbox"/> |
| F | 15 1/2" <input type="checkbox"/> | 16 1/2" <input type="checkbox"/> | 17 1/2" <input type="checkbox"/> | F | 14" <input type="checkbox"/> | 15" <input type="checkbox"/> | 16" <input type="checkbox"/> |
| G | 16" <input type="checkbox"/> | 17" <input type="checkbox"/> | 18" <input type="checkbox"/> | G | 14 1/2" <input type="checkbox"/> | 15 1/2" <input type="checkbox"/> | 16 1/2" <input type="checkbox"/> |
| H | 16 1/2" <input type="checkbox"/> | 17 1/2" <input type="checkbox"/> | 18 1/2" <input type="checkbox"/> | H | 15" <input type="checkbox"/> | 16" <input type="checkbox"/> | 17" <input type="checkbox"/> |
| I | 17" <input type="checkbox"/> | 18" <input type="checkbox"/> | 19" <input type="checkbox"/> | I | 15 1/2" <input type="checkbox"/> | 16 1/2" <input type="checkbox"/> | 17 1/2" <input type="checkbox"/> |
| J | 17 1/2" <input type="checkbox"/> | 18 1/2" <input type="checkbox"/> | 19 1/2" <input type="checkbox"/> | J | 16" <input type="checkbox"/> | 17" <input type="checkbox"/> | 18" <input type="checkbox"/> |

Note These measurements are for reference only. They may vary depending on the propulsion wheel diameter, seat angle and position of the axle mounting plate.

PROPULSION WHEEL POSITION





Note Position #5 and above are incompatible with a 24" propulsion wheel and a depth of 16".

Please specify the desired position: _____



| PROPULSION WHEELS | | | | | | | | | | | | |
|--|---|------------------------------|-------------------------------|--------------------------------|-------------------------------|-------------------------------|-------------------------------------|-------------------------------|-------------------------------------|---|-----|-------------------------------------|
| Note | Please ensure the selected propulsion wheel diameter corresponds with the selection made in the rear seat-to-floor height tables. | | | | | | | | | | | |
| PRODUCT | DESCRIPTION | | | | | CODE | PRICE | CHOICE | | | | |
| Rims | Mag Wheel | | | | | NX52MA | N/C | <input type="checkbox"/> | | | | |
| Tires | Diameter | 20" <input type="checkbox"/> | 22" <input type="checkbox"/> | 24" <input type="checkbox"/> | - | - | <input checked="" type="checkbox"/> | | | | | |
| | Polyurethane | | | | | NX53UR | N/C | <input type="checkbox"/> | | | | |
| | Standard pressure | | | | | NX53SP | N/C | <input type="checkbox"/> | | | | |
| Handrims | Aluminium | | | | | NX44 | N/C | <input type="checkbox"/> | | | | |
| | Plastic Coated | | | | | NX45 | \$130 Pair | <input type="checkbox"/> | | | | |
| | Anti-slip | | | | | XL85 | \$305 Pair | <input type="checkbox"/> | | | | |
| | Vertical Projection | | | | | XL84 | \$305 Pair | <input type="checkbox"/> | | | | |
| | ½-inch closer adjustment (Reduce overall width by 1") | | | | | - | N/C | <input type="checkbox"/> | | | | |
| | Omit (Reduce overall width by 1 ½") | | | | | - | N/C | <input type="checkbox"/> | | | | |
| Axles | Threaded Axles | | | | | XL47 | N/C | <input type="checkbox"/> | | | | |
| | Quick-release Axles | | | | | XL48 | N/C | <input type="checkbox"/> | | | | |
| | Extension plates for amputee (integrated to mounting plate) | | | | | XL76 | \$89 Pair | <input type="checkbox"/> | | | | |
| ONE ARM DRIVE MECHANISM | | | | | | | | | | | | |
| One Arm Drive Mechanism | One-Arm Propulsion Mechanism | | Left <input type="checkbox"/> | Right <input type="checkbox"/> | XL68 | \$1100 | <input checked="" type="checkbox"/> | | | | | |
| WHEEL LOCKS | | | | | | | | | | | | |
| Wheel Locks | Push-to-lock | | | | | XL29 | N/C | <input type="checkbox"/> | | | | |
| | Pull-to-lock | | | | | XL55 | N/C | <input type="checkbox"/> | | | | |
| | One-Arm wheel lock | | Left <input type="checkbox"/> | Right <input type="checkbox"/> | XL83 | \$417 | <input checked="" type="checkbox"/> | | | | | |
| Extension Handles | Fixed Extension Handle - 6" | | | | | XL30 | N/C | <input type="checkbox"/> | | | | |
| | Telescopic Extension Handle - 4 ½" | | | | | XL31 | \$60 Pair | <input type="checkbox"/> | | | | |
| ANTI-TIPS | | | | | | | | | | | | |
| Anti-Tips | Alumium anti-tips | | | | | XL40A XL40B | N/C | <input type="checkbox"/> | | | | |
| BACK POSTS | | | | | | | | | | | | |
| Note | All back post are height adjustable by increments of 1". | | | | | | | | | | | |
| Standard Back Posts (with grip handles) | Medium | 16" <input type="checkbox"/> | 17" <input type="checkbox"/> | 18" <input type="checkbox"/> | 19" <input type="checkbox"/> | 20" <input type="checkbox"/> | XLH1620 | N/C | <input checked="" type="checkbox"/> | | | |
| | Long | 21" <input type="checkbox"/> | 22" <input type="checkbox"/> | 23" <input type="checkbox"/> | 24" <input type="checkbox"/> | 25" <input type="checkbox"/> | XLH2125 | \$95 Pair | <input checked="" type="checkbox"/> | | | |
| Back Post Angle | Straight 0° | | | | | XLHR0 | N/C | <input type="checkbox"/> | | | | |
| | Bend 8° | | | | | XLHR8 | N/C | <input type="checkbox"/> | | | | |
| Backrest Angle | Ajustable in increment of 5° | 85° <input type="checkbox"/> | 90° <input type="checkbox"/> | 95° <input type="checkbox"/> | 100° <input type="checkbox"/> | 105° <input type="checkbox"/> | 110° <input type="checkbox"/> | 115° <input type="checkbox"/> | 120° <input type="checkbox"/> | - | N/C | <input checked="" type="checkbox"/> |

| ARMREST | | | | | | | |
|---|---|---|------------------------------|------------------------------|--------------------------|--------------------------|---|
| Notes | "U" TYPE ARMREST: Removable, flip-back armrests, adjustable in height by increments of ½", includes locking mechanism and clothing guards. Provides ½" clearance on each side. | | | | | | |
| | "T" TYPE ARMREST: Removable armrests, adjustable in height by increments of ½", includes locking mechanism and clothing guards. Provides ½" clearance on each side. | | | | | | |
| PRODUCT | DESCRIPTION | CODE | PRICE | CHOICE | | | |
| "U" Type | Lowered - Adjustable from 6 ¾" to 9 ½" | XL10-AB | \$263 Pair | <input type="checkbox"/> | | | |
| | Standard - Adjustable from 8 ½" to 13" | XL10-ST | \$263 Pair | <input type="checkbox"/> | | | |
| | Elevated - Adjustable from 12" to 16 ½" | XL10-SE | \$263 Pair | <input type="checkbox"/> | | | |
| "T" Type | Lowered - Adjustable from 7" to 12" | 08-TX1- | \$112 Pair | <input type="checkbox"/> | | | |
| | Standard - Adjustable from 8" to 14" | 08-TX2- | N/C | <input type="checkbox"/> | | | |
| ARMREST PADS | | | | | | | |
| Armrest Pads | Foam Pad - Desk length (2 ¼" x 10") | -FS | N/C | <input type="checkbox"/> | | | |
| | Foam Pad - Full length (2 ¼" x 14") | -FL | N/C | <input type="checkbox"/> | | | |
| Armrest Pad Extension | 3" Armrest pad extension | PH-03046 | \$124 Pair | <input type="checkbox"/> | | | |
| FOOTREST | | | | | | | |
| Notes | Footrest can be swivelled inwards or outwards, is removable and is equipped with a locking mechanism. Adjustable in length from 10 ½" to 21" by increments of ½". | | | | | | |
| | Minimal length of the 60° footrest is 11 ¼". | | | | | | |
| Footrest Angle | 60° | | NX60 | N/C | <input type="checkbox"/> | | |
| | 70° | | NX70 | N/C | <input type="checkbox"/> | | |
| | 90° | | NX90 | \$149 Pair | <input type="checkbox"/> | | |
| Footrest Length | Small: | 10 ½" to 13". Specify desired length: _____ " (± ¼") | XL62-S | N/C | ← | | |
| | Medium: | 12" to 17". Specify desired length: _____ " (± ¼") | XL62-M | | ← | | |
| | Long: | 16" to 21". Specify desired length: _____ " (± ¼") | XL62-L | | ← | | |
| ELEVATING AND ARTICULATING LEGREST | | | | | | | |
| Note | The elevating and articulating legrest is equipped with a locking mechanism and can be installed on the same fittings as the standard footrest. | | | | | | |
| Elevating and Articulating Legrest | X-Small: | 12" <input type="checkbox"/> | 13" <input type="checkbox"/> | 14" <input type="checkbox"/> | XL65 | \$545Pair | ← |
| | Small: | 14" <input type="checkbox"/> | 15" <input type="checkbox"/> | 16" <input type="checkbox"/> | XL15 | | ← |
| | Medium: | 17" <input type="checkbox"/> | 18" <input type="checkbox"/> | 19" <input type="checkbox"/> | XL16 | | ← |
| | Long: | 20" <input type="checkbox"/> | 21" <input type="checkbox"/> | 22" <input type="checkbox"/> | XL66 | | ← |
| Note | A calf support is included at no charge when ordered with the elevating and articulating legrest. The calf support is adjustable in height, depth and angle. | | | | | | |
| → | Please select your calf support. | Calf support - Flat Padding | | XL18 | N/C | <input type="checkbox"/> | |
| | | Calf support - Profiled Padding (6" x 8") | | XL20 | N/C | <input type="checkbox"/> | |

| FOOTPLATES | | | | | | | | | | |
|---|--|--|--------------------------|---|--------------------------|--------------------------|--------------------------|-----------|------------|---|
| PRODUCT | DESCRIPTION | | CODE | PRICE | CHOICE | | | | | |
| Flip-Up Footplates | Aluminium footplates, 6" X 8" | | XL26S- | N/C | <input type="checkbox"/> | | | | | |
| | Aluminium footplates, 7" X 8" | | XL26S- | N/C | <input type="checkbox"/> | | | | | |
| Flip-up & Adjustable Footplates | Aluminium footplates with angle and depth adjustments | | XL27S- | \$180 Pair | <input type="checkbox"/> | | | | | |
| | Size: | 5" X 6 ¾" | | | | | | | | |
| | Aluminium footplates with angle and depth adjustments | | XL27S- | \$180 Pair | <input type="checkbox"/> | | | | | |
| Size: | 6" X 6 ¾" | | | | | | | | | |
| Oversized Flip-up Footplates | Aluminium footplates | | XL26G- | \$60 Pair | ← | | | | | |
| | Width : 6" <input type="checkbox"/> 7" <input type="checkbox"/> | | | | | | | | | |
| | Depth : 9" <input type="checkbox"/> 10" <input type="checkbox"/> | | | | | | | | | |
| Oversized Flip-up & Adjustable Footplates | Footplate Sizes | Seat Width | | | | | | XL...X... | \$195 Pair | ← |
| | | 14" | 15" | 16" | 17" | 18" | 19" + | | | |
| | 5" x 9" | <input type="checkbox"/> | <input type="checkbox"/> | <input type="checkbox"/> | <input type="checkbox"/> | <input type="checkbox"/> | <input type="checkbox"/> | | | |
| | 6" x 9" | <input type="checkbox"/> | <input type="checkbox"/> | <input type="checkbox"/> | <input type="checkbox"/> | <input type="checkbox"/> | <input type="checkbox"/> | | | |
| | 6" x 10" | | <input type="checkbox"/> | <input type="checkbox"/> | <input type="checkbox"/> | <input type="checkbox"/> | <input type="checkbox"/> | | | |
| | 7" x 9" | N/A | <input type="checkbox"/> | <input type="checkbox"/> | <input type="checkbox"/> | <input type="checkbox"/> | <input type="checkbox"/> | | | |
| | 7" x 10" | | <input type="checkbox"/> | <input type="checkbox"/> | <input type="checkbox"/> | <input type="checkbox"/> | | | | |
| | 8" x 9" | | <input type="checkbox"/> | <input type="checkbox"/> | <input type="checkbox"/> | <input type="checkbox"/> | | | | |
| 8" x 10" | <input type="checkbox"/> | <input type="checkbox"/> | <input type="checkbox"/> | <input type="checkbox"/> | <input type="checkbox"/> | | | | | |
| One Piece Flip-up Footplate | Aluminium footplate with angle and depth adjustments | | XFW..- | \$350 | ← | | | | | |
| | Depth: | 6" <input type="checkbox"/> 8" <input type="checkbox"/> 10" <input type="checkbox"/> | | | | | | | | |
| Heel Support Strap | Adjustable in length | | XL28- | N/C | <input type="checkbox"/> | | | | | |
| ADAPTED TRANSPORT SECUREMENT POINTS | | | | | | | | | | |
| Securement Points |  4 Tie-down strap securement points for adapted transport, Certified ISO/DIS 7176-19:2019 | | XL42 | N/C | <input type="checkbox"/> | | | | | |
| OXYGEN TANK HOLDER | | | | | | | | | | |
| Oxygen Tank Holder | Compatible with size D and E oxygen tanks only Not compatible with the stroller bar | | ST-03166 | \$180 | <input type="checkbox"/> | | | | | |
| TENSION BARS | | | | | | | | | | |
|  | STANDARD FOLDING TENSION BAR: Included with XL5 HD | | | | | | | | | |
| Tension Bars | Standard folding tension bar | | XL87R- | \$165  | <input type="checkbox"/> | | | | | |
| | Folding tension bar with multi-adjustable headrest support mounting fixture | | XL88R- | \$235 | <input type="checkbox"/> | | | | | |
| SEAT CUSHIONS | | | | | | | | | | |
|  | SEAT CUSHIONS: The dimension of the cushion will be adapted to the size of the wheelchair. Flat cut. | | | | | | | | | |
| Urethane & Memory Foam Cushions | Thickness of 2", flat | | S3350-... | \$126 | <input type="checkbox"/> | | | | | |
| | Thickness of 3", flat | | S3350-... | \$126 | <input type="checkbox"/> | | | | | |
| | Thickness of 4", flat | | S3350-... | \$126 | <input type="checkbox"/> | | | | | |
| BACKRESTS | | | | | | | | | | |
| Flexible | Flexible - Nylon backrest | | D4240-... | N/C | <input type="checkbox"/> | | | | | |
| Standard | Standard - Tension adjustable backrest | | D4250-... | \$142 | <input type="checkbox"/> | | | | | |

YOU DIDN'T FIND WHAT YOU WANT ON THIS ORDER FORM?
Describe your need below. Our customer service will evaluate your request and give you a detailed quote.

Notes :

MEDmobility