



Discount is 10%

# AADL EXPRESS ORDER FORM



## Pediatric Manual Wheelchair

**AADL MSRP  
PRICE ONLY**

**SEND**



AADL# W116  
Effective October 1, 2023



**MEDmobility**  
5711- Calgary Trail NW  
Edmonton AB T6H 2K1  
P:780-437-3300 • F:780-430-9381  
**AADL Vendor # 0000612578-001**

Contact Information	
P.O. #:	
First Name:	

Phone: \_\_\_\_\_ Fax: \_\_\_\_\_  
Email address: \_\_\_\_\_

- Price Specification
- Technical Specification

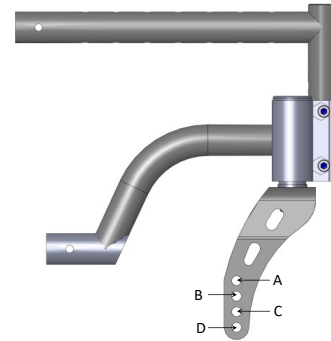
<b>→</b>	Order confirmation by email	Yes <input type="checkbox"/>	No <input type="checkbox"/>
	Subscribe to Physipro™ newsletter	Yes <input type="checkbox"/>	No <input type="checkbox"/>
	Factory installation of postural aids	Yes <input type="checkbox"/>	No <input type="checkbox"/>

XL5 PEDIATRIC WHEELCHAIR						
PRODUCT	DESCRIPTION		CODE	PRICE	CHOICE	
<b>XL5 Pediatric</b>	Pediatric folding manual wheelchair with single crossbar. Seat width: 11", 12", 13", 14", 15" or 16". Seat depth: 12", 14" or 16". Maximum load capacity : 265 lb			XL5-01	\$2395	<input type="checkbox"/>
<b>→</b>	Please select the desired frame color.		Glossy Black	<input type="checkbox"/>	Secure Blue	<input type="checkbox"/>
SEAT STRUCTURE						
Seat Width	11" <input type="checkbox"/> 12" <input type="checkbox"/> 13" <input type="checkbox"/> 14" <input type="checkbox"/> 15" <input type="checkbox"/> 16" <input type="checkbox"/>		XL-	N/C		<b>←</b>
Seat Depth	12" <input type="checkbox"/> 14" <input type="checkbox"/> 16" <input type="checkbox"/>			N/C		
SEAT BASE OPTIONS						
Seat Base Options	Tension adjustable nylon sling seat (with two 2" Velcro "Hook" bands)		\$1500-...	N/C	<input type="checkbox"/>	
	Urethane and memory foam cushion - Thickness of 2", Flat		\$3350-...	N/C	<input type="checkbox"/>	
CASTER WHEELS						
<b>Note</b>	Please ensure the selected caster wheel corresponds with the selection made in the front seat-to-floor height tables.					
Caster Wheels	Polyurethane	5" x 1 ½" <input type="checkbox"/>	6" x 1 ½" <input type="checkbox"/>	8" x 1 ½" <input type="checkbox"/>	WHUN-	N/C
		4" x 1" <input type="checkbox"/>				\$100 Pair
PROPULSION WHEELS						
<b>Note</b>	Please ensure the selected propulsion wheel diameter corresponds with the selection made in the rear seat-to-floor height tables.					
Rims	Spoke Wheel		NX52SW	N/C	<input type="checkbox"/>	
Tires	Diameter	20" <input type="checkbox"/>	22" <input type="checkbox"/>	-	-	<b>←</b>
Handrims	Aluminium		NX44	N/C	<input type="checkbox"/>	
	Plastic Coated		NX45	\$130 Pair	<input type="checkbox"/>	
Axles	Threaded Axles		XL47	N/C	<input type="checkbox"/>	
	Quick Release Axles		XL48	\$105 Pair	<input type="checkbox"/>	

### FRONT SEAT-TO-FLOOR HEIGHT TABLES (according to the type of wheelchair frame and forks)

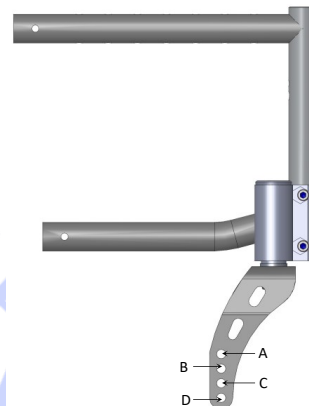
#### HEMI FRAME - SHORT FORK

POSITION	CASTER WHEEL DIAMETER			
	4"	5"	6"	8"
A				
B		13 □	13 ½ □	
C	13 □	13 ½ □	14 □	
D	13 ½ □	14 □	14 ½ □	



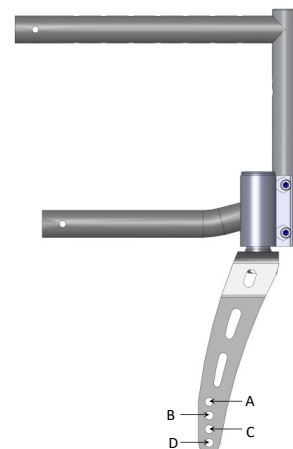
#### STANDARD FRAME - SHORT FORK

POSITION	CASTER WHEEL DIAMETER			
	4"	5"	6"	8"
A	15 □	15 ½ □		
B	15 ½ □	16 □	16 ½ □	
C	16 □	16 ½ □	17 □	
D	16 ½ □	17 □	17 ½ □	18 ½ □



#### STANDARD FRAME - LONG FORK

POSITION	CASTER WHEEL DIAMETER			
	4"	5"	6"	8"
A	17 ½ □	18 □	18 ½ □	19 ½ □
B	18 □	18 ½ □	19 □	20 □
C	18 ½ □	19 □	19 ½ □	20 ½ □
D	19 □	19 ½ □	20 □	21 □



### REAR SEAT-TO-FLOOR HEIGHT TABLE

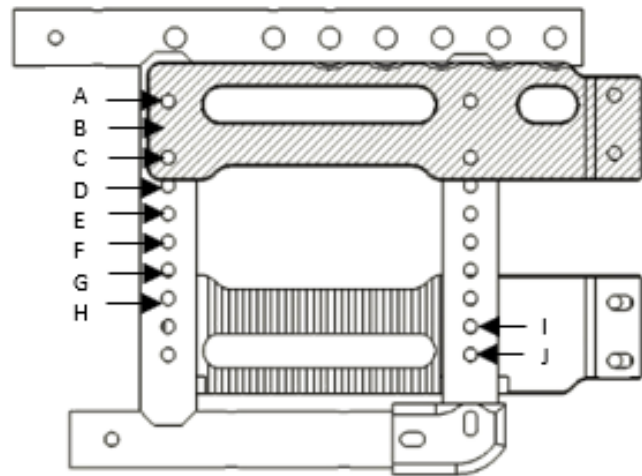
The XL5 Pediatric offers 10 seat-to-floor height adjustment positions by increments of ½".

The following tables indicate the position needed to obtain the desired seat-to-floor height, according to the chosen propulsion wheel diameter.

**Note**

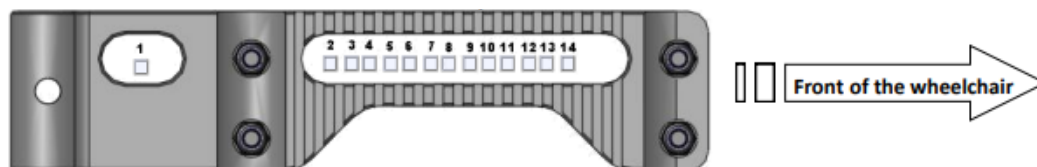
These measurements are for reference only. They may vary depending on the propulsion wheel diameter, seat angle and position of the axle mounting plate.

POSITION	PROPULSION WHEEL DIAMETER	
	20"	22"
A	13" <input type="checkbox"/>	14" <input type="checkbox"/>
B	13 ½" <input type="checkbox"/>	14 ½" <input type="checkbox"/>
C	14" <input type="checkbox"/>	15" <input type="checkbox"/>
D	14 ½" <input type="checkbox"/>	15 ½" <input type="checkbox"/>
E	15" <input type="checkbox"/>	16" <input type="checkbox"/>
F	15 ½" <input type="checkbox"/>	16 ½" <input type="checkbox"/>
G	16" <input type="checkbox"/>	17" <input type="checkbox"/>
H	16 ½" <input type="checkbox"/>	17 ½" <input type="checkbox"/>
I	17" <input type="checkbox"/>	18" <input type="checkbox"/>
J	17 ½" <input type="checkbox"/>	18 ½" <input type="checkbox"/>




### PROPULSION WHEEL POSITION

Please specify the desired position: \_\_\_\_\_



WHEEL LOCKS				
PRODUCT	DESCRIPTION	CODE	PRICE	CHOICE
Wheel Locks	Push-to-lock	XL29	N/C	<input type="checkbox"/>
Extension Handles	Fixed Extension Handle - 6"	XL30	\$40 Pair	<input type="checkbox"/>
	Telescopic Extension Handle - 4 ½"	XL31	\$60 Pair	<input type="checkbox"/>
ANTI-TIPS				
Anti-Tips	Alumium anti-tips	XL40A XL40B	N/C	<input type="checkbox"/>
BACK POSTS				
<b>Notes</b>	All back post are height adjustable by increments of 1".			
Standard Back Posts (with grip handles)	16" <input type="checkbox"/> 17" <input type="checkbox"/> 18" <input type="checkbox"/> 19" <input type="checkbox"/> 20" <input type="checkbox"/>	XLH1620	N/C	←
BACK POST ANGLE				
Back Post Angle	Straight 0°	XLHR0	N/C	<input type="checkbox"/>
	Bend 8°	XLHR8	N/C	<input type="checkbox"/>
BACKREST ANGLE				
Backrest Angle	85° <input type="checkbox"/> 90° <input type="checkbox"/> 95° <input type="checkbox"/> 100° <input type="checkbox"/> 105° <input type="checkbox"/>		N/C	←
STROLLER BAR				
Stroller Bar	Angle adjustable stroller bar	XL09...	N/C	<input type="checkbox"/>
ARMREST				
<b>Notes</b>	"T" TYPE ARMREST: Removable armrests, adjustable in height by increments of ½", includes locking mechanism and clothing guards. Provides ½" clearance on each side.			
"T" Type	Lowered - Adjustable from 7" to 12"	08-TX1-	\$112 Pair	<input type="checkbox"/>
	Standard - Adjustable from 8" to 14"	08-TX2-	N/C	<input type="checkbox"/>
ARMREST PADS				
Armrest Pads	Foam Pad - Desk length (2 ¼" x 10")	-FS	N/C	<input type="checkbox"/>
	Foam Pad - Full length (2 ¼" x 14")	-FL	N/C	<input type="checkbox"/>
SWING AWAY FOOTREST				
<b>Notes</b>	Footrest can be swivelled inwards or outwards, is removable and is equipped with a locking mechanism. Adjustable in lenght by increments of ½".			
Swing Away Footrest	70° Swing Away Footrest - Adjustable in lenght from 5 ½" to 9 ½".	NX70	N/C	<input type="checkbox"/>
	90° Swing Away Footrest - Adjustable in lenght from 6" to 10".	NX90	N/C	<input type="checkbox"/>
	Specify desired length: _____" (± ¼")	-	-	←
FOOTPLATES				
Flip-up & Adjustable Footplates	Aluminium footplates with angle and depth adjusments Size: 4" X 5"	XL27S-	\$180 Pair	<input type="checkbox"/>
	Aluminium footplates with angle and depth adjusments Size: 6" X 6 ¾"	XL27S-	\$180 Pair	<input type="checkbox"/>
Heel Support Strap	Adjustable in length	XL28-	\$55 Pair	<input type="checkbox"/>

PELVIC POSITIONING BELT				
PRODUCT	DESCRIPTION	CODE	PRICE	CHOICE
Positioning Belt	Pelvic positioning belt with auto-style buckle, 2"	XL41	\$75	<input type="checkbox"/>
ADAPTED TRANSPORT SECUREMENT POINTS				
Securement Points	 4 Tie-down strap securement points for adapted transport, Certified ISO/DIS 7176-19:2019	XL42	N/C	<input type="checkbox"/>
SPOKE-GUARDS				
Spoke-guards	Transparents spoke-guards	NX46-	\$180 Pair	<input type="checkbox"/>
BACKRESTS				
Flexible	Flexible - Nylon backrest	D4240-...	N/C	<input type="checkbox"/>
Standard	Standard - Tension adjustable backrest	D4250-...	\$142	<input type="checkbox"/>

**YOU DIDN'T FIND WHAT YOU WANT ON THIS ORDER FORM?**

Describe your need below. Our customer service will evaluate your request and give you a detailed quote.

Notes :