

Phone (800) 981-1540 | Fax (715) 254-0996
sales@kimobility.com | www.kimobility.com

Company: _____

Ship To: _____

Account Number: _____ Date: _____

Address: _____

Quote PO Number: _____

City: _____ State: _____

RTS: _____

Zip: _____ Phone: _____

Marked For: _____

Email/Fax: _____

Effective 07/01/2019

Rogue **\$3895**
Rogue Standard Frame. 275 lb weight capacity.

Discount 8%

Frame

Seat Width / Seat Depth

Select box corresponding to desired Seat Width and Depth. See references A and B on page 7.

		Seat Width									Price
		12"	13"	14"	15"	16"	17"	18"	19"	20"	
Seat Depth	14"	N/C	<input type="checkbox"/>	<input type="checkbox"/>	<input type="checkbox"/>	<input type="checkbox"/>	<input type="checkbox"/>	<input type="checkbox"/>	<input type="checkbox"/>	<input type="checkbox"/>	N/C
	15"	N/C	<input type="checkbox"/>	<input type="checkbox"/>	<input type="checkbox"/>	<input type="checkbox"/>	<input type="checkbox"/>	<input type="checkbox"/>	<input type="checkbox"/>	<input type="checkbox"/>	N/C
	16"	N/C	<input type="checkbox"/>	<input type="checkbox"/>	<input type="checkbox"/>	<input type="checkbox"/>	<input type="checkbox"/>	<input type="checkbox"/>	<input type="checkbox"/>	<input type="checkbox"/>	N/C
	17"	N/C	<input type="checkbox"/>	<input type="checkbox"/>	<input type="checkbox"/>	<input type="checkbox"/>	<input type="checkbox"/>	<input type="checkbox"/>	<input type="checkbox"/>	<input type="checkbox"/>	N/C
	18"	N/C	<input type="checkbox"/>	<input type="checkbox"/>	<input type="checkbox"/>	<input type="checkbox"/>	<input type="checkbox"/>	<input type="checkbox"/>	<input type="checkbox"/>	<input type="checkbox"/>	N/C
	19"	N/C	<input type="checkbox"/>	<input type="checkbox"/>	<input type="checkbox"/>	<input type="checkbox"/>	<input type="checkbox"/>	<input type="checkbox"/>	<input type="checkbox"/>	<input type="checkbox"/>	N/C
	20"	\$295	<input type="checkbox"/>	<input type="checkbox"/>	<input type="checkbox"/>	<input type="checkbox"/>	<input type="checkbox"/>	<input type="checkbox"/>	<input type="checkbox"/>	<input type="checkbox"/>	\$295

Sling Position

In Performance Position (0"), sling is at front of frame. The 1" or 2" sling position extends the frame in front of the sling by that amount. See reference C on page 7.

- 0" (Performance) _____ N/C
- 1" _____ N/C
- 2" (Classic) _____ N/C

Adjustable Depth

Adds the capability to grow seat in depth

- No Rear Adjustment _____ N/C
- 1/2" _____ N/C
- 1" _____ \$75
- 2" _____ \$165

Seat Pan

- Solid Seat Pan _____ \$265

Front Frame Bend

Angle between front seat tube and ground. See reference D on page 7.

- 90° _____ N/C
- 85° _____ N/C
- 80° _____ N/C
- 75° _____ N/C
- 70° _____ N/C

Transit Option

Cannot be retrofitted

- Transit System _____ \$399

Backrest

Back Post / Height Range / Back Height

Select Back Height in row corresponding to desired Back Post and Height Range.

Back Post	Price	Height Range	Back Height				
Height Adjustable	N/C	Short	<input type="checkbox"/> 11 ²	<input type="checkbox"/> 12	<input type="checkbox"/> 13	<input type="checkbox"/> 14	
		Medium	<input type="checkbox"/> 13	<input type="checkbox"/> 14	<input type="checkbox"/> 15	<input type="checkbox"/> 16	<input type="checkbox"/> 17
		Tall	<input type="checkbox"/> 17	<input type="checkbox"/> 18	<input type="checkbox"/> 19	<input type="checkbox"/> 20	
Fixed Height ¹	\$95		<input type="checkbox"/> 9 ²	<input type="checkbox"/> 10 ²	<input type="checkbox"/> 11 ²	<input type="checkbox"/> 12	<input type="checkbox"/> 13
			<input type="checkbox"/> 14	<input type="checkbox"/> 15	<input type="checkbox"/> 16	<input type="checkbox"/> 17	<input type="checkbox"/> 18

¹ Not available with back upholstery
² Not available with Fold Down Push Handle

Push Handle

- Omit Push Handle _____ N/C
- Standard Push Handle _____ N/C
- Low Profile Push Handle _____ \$55
2" shorter than standard push handles
- Bolt-On Push Handle _____ \$170
Handles will be 1" - 2" above back height
- Fold Down Push Handle _____ \$145

Stroller Handle

Stroller Handles are removable and height adjustable

- Single Stroller Handle _____ \$206
- Double Stroller Handle _____ \$395
Not available with Push Handles

Backrest continued

Rigidizer Bar

Adjustable Height Rigidizer Bar _____ \$115

Seat Back Angle

Standard is 90° (perpendicular to floor). Minus (-°) closes back angle. Plus (+°) opens back angle.

Standard +3° +6° +9°
 -3° -6° -9° -12°

Back Upholstery

Available only with Height Adjustable Back Posts

Padded Velcro Adjustable
 Standard Cover _____ Std
 Air Mesh Breathable Cover _____ \$75

Tension Adjustable
 Standard Cover _____ \$385
 Air Mesh Breathable Cover _____ \$450

Omit Back Upholstery _____ - \$10

Front Seat Height and Casters

Caster Size / Footrest Taper / Front Seat Height

Select Front Seat Height in row corresponding to Footrest Taper and Caster Size. 6" casters not available with 85° and 90° Front Frame Bend.

Footrest Taper indicates bend of front frame creating footrest width. Taper is measured from outside of seat frame to outside of front tube. 2" Taper not available with 75° Front Frame Bend. Taper is not available with 70° Front Frame Bend. See reference E on page 7.

Front Seat Height is measured from floor to top of seat tube at front of seat sling. Adjustable up or down by 1/2". See reference F on page 7.

Footrest Taper	Caster Size	Front Seat Height														
Straight	3"	<input type="checkbox"/> 13.5	<input type="checkbox"/> 14	<input type="checkbox"/> 14.5	<input type="checkbox"/> 15	<input type="checkbox"/> 15.5	<input type="checkbox"/> 16	<input type="checkbox"/> 16.5	<input type="checkbox"/> 17	<input type="checkbox"/> 17.5	<input type="checkbox"/> 18	<input type="checkbox"/> 18.5	<input type="checkbox"/> 19	<input type="checkbox"/> 19.5	<input type="checkbox"/> 20	<input type="checkbox"/> 20.5
	4"	<input type="checkbox"/> 14	<input type="checkbox"/> 14.5	<input type="checkbox"/> 15	<input type="checkbox"/> 15.5	<input type="checkbox"/> 16	<input type="checkbox"/> 16.5	<input type="checkbox"/> 17	<input type="checkbox"/> 17.5	<input type="checkbox"/> 18	<input type="checkbox"/> 18.5	<input type="checkbox"/> 19	<input type="checkbox"/> 19.5	<input type="checkbox"/> 20	<input type="checkbox"/> 20.5	
	5"	<input type="checkbox"/> 14.5	<input type="checkbox"/> 15	<input type="checkbox"/> 15.5	<input type="checkbox"/> 16	<input type="checkbox"/> 16.5	<input type="checkbox"/> 17	<input type="checkbox"/> 17.5	<input type="checkbox"/> 18	<input type="checkbox"/> 18.5	<input type="checkbox"/> 19	<input type="checkbox"/> 19.5	<input type="checkbox"/> 20	<input type="checkbox"/> 20.5		
	6"	<input type="checkbox"/> 15	<input type="checkbox"/> 15.5	<input type="checkbox"/> 16	<input type="checkbox"/> 16.5	<input type="checkbox"/> 17	<input type="checkbox"/> 17.5	<input type="checkbox"/> 18	<input type="checkbox"/> 18.5	<input type="checkbox"/> 19	<input type="checkbox"/> 19.5	<input type="checkbox"/> 20	<input type="checkbox"/> 20.5			
1" Taper	3"	<input type="checkbox"/> 16.5	<input type="checkbox"/> 17	<input type="checkbox"/> 17.5	<input type="checkbox"/> 18	<input type="checkbox"/> 18.5	<input type="checkbox"/> 19	<input type="checkbox"/> 19.5	<input type="checkbox"/> 20	<input type="checkbox"/> 20.5						
	4"	<input type="checkbox"/> 17	<input type="checkbox"/> 17.5	<input type="checkbox"/> 18	<input type="checkbox"/> 18.5	<input type="checkbox"/> 19	<input type="checkbox"/> 19.5	<input type="checkbox"/> 20	<input type="checkbox"/> 20.5							
	5"	<input type="checkbox"/> 17.5	<input type="checkbox"/> 18	<input type="checkbox"/> 18.5	<input type="checkbox"/> 19	<input type="checkbox"/> 19.5	<input type="checkbox"/> 20	<input type="checkbox"/> 20.5								
	6"	<input type="checkbox"/> 18	<input type="checkbox"/> 18.5	<input type="checkbox"/> 19	<input type="checkbox"/> 19.5	<input type="checkbox"/> 20	<input type="checkbox"/> 20.5									
2" Taper	3"	<input type="checkbox"/> 16.5	<input type="checkbox"/> 17	<input type="checkbox"/> 17.5	<input type="checkbox"/> 18	<input type="checkbox"/> 18.5	<input type="checkbox"/> 19	<input type="checkbox"/> 19.5	<input type="checkbox"/> 20	<input type="checkbox"/> 20.5						
	4"	<input type="checkbox"/> 17	<input type="checkbox"/> 17.5	<input type="checkbox"/> 18	<input type="checkbox"/> 18.5	<input type="checkbox"/> 19	<input type="checkbox"/> 19.5	<input type="checkbox"/> 20	<input type="checkbox"/> 20.5							
	5"	<input type="checkbox"/> 17.5	<input type="checkbox"/> 18	<input type="checkbox"/> 18.5	<input type="checkbox"/> 19	<input type="checkbox"/> 19.5	<input type="checkbox"/> 20	<input type="checkbox"/> 20.5								
	6"	<input type="checkbox"/> 18	<input type="checkbox"/> 18.5	<input type="checkbox"/> 19	<input type="checkbox"/> 19.5	<input type="checkbox"/> 20	<input type="checkbox"/> 20.5									

Caster Type

.75" Rollerblade _____ N/C
Available only with 3" and 4" Caster Sizes

.75" Lighted Rollerblade _____ \$88
Available only with 3" and 4" Caster Sizes

1" Poly _____ N/C
Not available with 3" Caster Size

1" Poly Aluminum _____ \$120
Available only with 4" and 5" Caster Sizes

1" Pneumatic _____ \$80
Available only with 6" Caster Size

1.5" Poly _____ \$85
Not available with 3" Caster Size

1.5" Soft Roll Aluminum _____ \$150

Fork Options

Standard Fork _____ Std
 Single Sided Fork _____ \$156
 Frog Legs Ultra-Sport Fork - Black _____ \$425
Not included in Colored Anodizing Package

End User Weight Required: _____ lbs

Frog Legs PHASE 2 Carbon Fork _____ \$425
Lightweight shock absorbing fork. Not included in Colored Anodizing Package.

Footrest

- Footplate**
- Tubular "Open" Footplate _____ Std
 - Tubular Footplate with ABS Cover _____ \$38
Not available w/footrest widths greater than 15.5". See Reference G on page 7.
 - Aluminum Angle Adjustable _____ N/C
 - Aluminum Angle Adjustable with Riser _____ \$190
 - High Mount Aluminum Angle Adjustable _____ \$190
 - Angle Adjustable Flip Under _____ \$230
Not available with footrest widths less than 9.5". See Reference G on page 7.
 - High Mount Angle Adjustable Flip Under _____ \$295
Not available w/footrest widths greater than 15.5". See Reference G on page 7.

Seat to Footrest Length

Measured from front edge of seat sling to top, rear of footrest. Footrest length at least 2.5" shorter than Front Seat Height recommended. See reference H on page 7.

<input type="checkbox"/> 8"	<input type="checkbox"/> 8.5"	<input type="checkbox"/> 9"	<input type="checkbox"/> 9.5"	<input type="checkbox"/> 10"	<input type="checkbox"/> 10.5"
<input type="checkbox"/> 11"	<input type="checkbox"/> 11.5"	<input type="checkbox"/> 12"	<input type="checkbox"/> 12.5"	<input type="checkbox"/> 13"	<input type="checkbox"/> 13.5"
<input type="checkbox"/> 14"	<input type="checkbox"/> 14.5"	<input type="checkbox"/> 15"	<input type="checkbox"/> 15.5"	<input type="checkbox"/> 16"	<input type="checkbox"/> 16.5"
<input type="checkbox"/> 17"	<input type="checkbox"/> 17.5"	<input type="checkbox"/> 18"	<input type="checkbox"/> 18.5"	<input type="checkbox"/> 19"	<input type="checkbox"/> 19.5"

Footrest Protector

- Footrest Protector _____ N/C
Not available with Angle Adjustable Flip Under, High Mount Angle Adjustable Flip Under or High Mount Aluminum Angle Adjustable Footplates

Rear Seat Height and Wheels

Wheel Size / Rear Seat Height

Select Rear Seat Height in row corresponding to desired Wheel Size. For proper setup, selection is required when omitting rear wheels. Measured from floor to top of seat tube at front of back post. Rear Seat Height is custom to needs. See reference I on page 7.

Wheel Size	Rear Seat Height															
20"	<input type="checkbox"/> 12.5 ¹	<input type="checkbox"/> 13	<input type="checkbox"/> 13.5	<input type="checkbox"/> 14	<input type="checkbox"/> 14.5	<input type="checkbox"/> 15	<input type="checkbox"/> 15.5	<input type="checkbox"/> 16	<input type="checkbox"/> 16.5	<input type="checkbox"/> 17	<input type="checkbox"/> 17.5	<input type="checkbox"/> 18	<input type="checkbox"/> 18.5	<input type="checkbox"/> 19	<input type="checkbox"/> 19.5	<input type="checkbox"/> 20
22"	<input type="checkbox"/> 13.5 ¹	<input type="checkbox"/> 14	<input type="checkbox"/> 14.5	<input type="checkbox"/> 15	<input type="checkbox"/> 15.5	<input type="checkbox"/> 16	<input type="checkbox"/> 16.5	<input type="checkbox"/> 17	<input type="checkbox"/> 17.5	<input type="checkbox"/> 18	<input type="checkbox"/> 18.5	<input type="checkbox"/> 19	<input type="checkbox"/> 19.5	<input type="checkbox"/> 20		
24"	<input type="checkbox"/> 14.5 ¹	<input type="checkbox"/> 15	<input type="checkbox"/> 15.5	<input type="checkbox"/> 16	<input type="checkbox"/> 16.5	<input type="checkbox"/> 17	<input type="checkbox"/> 17.5	<input type="checkbox"/> 18	<input type="checkbox"/> 18.5	<input type="checkbox"/> 19	<input type="checkbox"/> 19.5	<input type="checkbox"/> 20				
25"	<input type="checkbox"/> 15 ¹	<input type="checkbox"/> 15.5	<input type="checkbox"/> 16	<input type="checkbox"/> 16.5	<input type="checkbox"/> 17	<input type="checkbox"/> 17.5	<input type="checkbox"/> 18	<input type="checkbox"/> 18.5	<input type="checkbox"/> 19	<input type="checkbox"/> 19.5	<input type="checkbox"/> 20					
26"	<input type="checkbox"/> 15.5 ¹	<input type="checkbox"/> 16	<input type="checkbox"/> 16.5	<input type="checkbox"/> 17	<input type="checkbox"/> 17.5	<input type="checkbox"/> 18	<input type="checkbox"/> 18.5	<input type="checkbox"/> 19	<input type="checkbox"/> 19.5	<input type="checkbox"/> 20						

¹ Available only with Low Profile tires

One Arm Drive

- One Arm Drive _____ \$1825
Available only with 24" Mag wheel. Axle not quick release. Standard Handrim will be Aluminum Anodized.
- Drive Handrim Side: Left Right
- Drive Handrim Type: Aluminum _____ N/C
 Poly Coated _____ \$200

Rear Wheel Type

- Spoke _____ N/C
- MAXX Performance Spoke _____ N/C
Available only in 22" or 24" wheel sizes
- Mag _____ N/C
Not available in 25" or 26" wheel sizes
- Superlight Spoke _____ \$395
Available only in 24" and 25" wheel sizes. 25" wheel size available only with Superlight and Plastic Coated Handrims.
- Spinergy Spox _____ \$820
Not available in 20" wheel size
- Color: Black Red White Blue Yellow
- Handrim: Short Tab Long Tab
Available only with Aluminum Anodized and Plastic Coated Handrims
- Spinergy LX _____ \$1025
Not available in 20" wheel size
- Color: Black Red White Blue Yellow
 Pink Green Orange Purple
- Handrim: Short Tab Long Tab
Available only with Aluminum Anodized and Plastic Coated Handrims

Rear Tire Type

- Full Profile**
- Street Pneumatic 1 3/8" _____ Std
Not available on 25" wheel size
 - Full Poly 1 3/8" _____ N/C
Not available on Superlight wheel or 25" or 26" wheel sizes
 - Pneumatic with Airless Insert 1 3/8" _____ \$250
Not available on Superlight wheel or 25" wheel size
 - Schwalbe HS-127 1 3/8" _____ \$119
Available only on 24" wheel size. Not available on Mag wheel.
 - Euro Trek Knobby 1 3/8" _____ \$119
Available only on 24" wheel size
 - Mountain 2" Black _____ \$119
Available only on 22", 24" and 25" Spoke and Spinergy wheels
- Low Profile**
- Low Poly 1" _____ \$50
Not available on Superlight wheel, 25" or 26" wheel sizes
 - Sentinel Solid Tire 1" _____ \$120
Not available on Superlight wheel or 20" and 22" Mag wheels
 - High Pressure 1" _____ N/C
Not available on Mag wheel
 - Schwalbe One 1" _____ \$135
Available only on 24" and 25" wheel sizes. Not available on Mag wheel.
 - Schwalbe Marathon Plus Evolution 1" _____ \$145
Not available on Mag wheel, 20" or 22" wheel sizes

Rear Seat Height and Wheels continued

Handrim

No selection needed with One Arm Drive

Standard Handrims

- Aluminum Anodized _____ Std
- Superlight Aluminum Anodized _____ \$75
Available only on 24" and 25" wheel sizes. Available only on MAXX Performance, Superlight or Spinergy wheels.
- Plastic Coated _____ \$119
- Projection (8 Vertical Projections) _____ \$299
Available only with full profile tires in combination with MAXX Performance, 22"-26" Spoke, or 24" Mag wheel
- Spinergy Flex Rim _____ \$650
Available only on 24" and 25" Spinergy LX Wheels
- Omit Handrim _____ N/C

Natural Fit Handrims

Not available on 20" wheel size or 22" Mag wheel. Not recommended with Mag wheel.

- Natural Fit LT Regular Grip _____ \$445
- Natural Fit Standard Regular Grip _____ \$445
- Natural Fit LT Super Grip _____ \$495
- Natural Fit Standard Super Grip _____ \$495
- Natural Fit LT Omit Grip _____ \$375
- Natural Fit Standard Omit Grip _____ \$375

Handrim Option

- 3M Micro Grip _____ \$81
Not available on Plastic Coated or Projection Handrims

Axle

- Quick Release _____ Std
- Quad Quick Release _____ \$219
Not available with Mag or Spinergy wheels

Wheel Locks

Wheel Lock

- Push to Lock _____ Std
- Push to Lock Flush Mount _____ N/C
- Pull to Lock _____ N/C
- Under Seat Scissor Lock _____ N/C
- Low Profile Scissor Lock _____ \$50
Not available with Low Poly, Full Poly or Sentinel Solid tires
- Short Thro Scissor Lock _____ \$150
- Omit Wheel Locks _____ N/C

Rear Wheel Camber

No selection needed with One Arm Drive

- 0° 2° 4° 6° 8°

Rear Wheel Spacing

Measured from outside of back to inside of rear tire. Adjustable out 1/2" from setting. 1.5" minimum Rear Wheel Spacing with Height Adjustable Armrests. 1" minimum Rear Wheel Spacing with 0° Rear Wheel Camber. See reference K on page 7. No selection needed with One Arm Drive or Wheelchair Drive Ready options.

- .75" 1" 1.25" 1.5" 1.75"

Center of Gravity Preset

Measured from front of back post to center of rear axle. 0" indicates axle will be directly under back post. See reference J on page 7.

Amputee Positions

<input type="checkbox"/> -1.5"	<input type="checkbox"/> -1.25"	<input type="checkbox"/> -1"	<input type="checkbox"/> -.75"
<input type="checkbox"/> -.5"	<input type="checkbox"/> -.25"	<input type="checkbox"/> 0"	<input type="checkbox"/> .25"

Standard Positions

<input type="checkbox"/> .5"	<input type="checkbox"/> .75"	<input type="checkbox"/> 1"	<input type="checkbox"/> 1.25"
<input type="checkbox"/> 1.5"	<input type="checkbox"/> 1.75"	<input type="checkbox"/> 2"	<input type="checkbox"/> 2.25"
<input type="checkbox"/> 2.5"	<input type="checkbox"/> 2.75"	<input type="checkbox"/> 3"	<input type="checkbox"/> 3.25"
<input type="checkbox"/> 3.5"	<input type="checkbox"/> 3.75"	<input type="checkbox"/> 4"	<input type="checkbox"/> 4.25"

Wheel Lock Options

- Extension Handles _____ \$70
Available only with Push to Lock or Pull to Lock Wheel Locks
- Grade Aids _____ \$187
Available only with Push to Lock Wheel Locks and Pneumatic or Pneumatic with Airless Insert tires

Armrests

Armrest Please select Arm Pad option	
<input type="checkbox"/> Height Adjustable T-Arm (8.5" - 13.5")	\$285
<input type="checkbox"/> Height Adjustable T-Arm Low (7.5" - 11.5")	\$285

Arm Pad	
<i>Not available with Swing Away Armrests</i>	
<input type="checkbox"/> Desk	<input type="checkbox"/> Full

Side Guards

Not available with T-Arms or Swing Away with Side Guard Armrests

Direct Mount	
<input type="checkbox"/> Composite Side Guards	\$75
Aluminum Adjustable Fender with Foam Pad <i>Not available with Adjustable Depth greater than 1/2"</i>	
<input type="checkbox"/> Black Matte	\$355
<input type="checkbox"/> Match Frame Color	\$405
<i>Not available with Hydrographics</i>	
<input type="checkbox"/> Carbon Fiber Adjustable Fender	\$595
<i>Not available with Adjustable Depth greater than 1/2"</i>	

Fabric Side Guard	
<i>Not available when omitting Back Upholstery</i>	
<input type="checkbox"/> Fabric Side Guards	\$106

Accessories

Anti-Tip	
<input type="checkbox"/> Rear Anti-Tips	\$140

Calf Strap	
<input type="checkbox"/> Velcro Adjustable	N/C
<input type="checkbox"/> Padded Velcro Adjustable	\$85
<input type="checkbox"/> Bodypoint Padded AeroMesh	\$123

Positioning Belt	
<input type="checkbox"/> 1 1/2" Auto Buckle	\$80
<input type="checkbox"/> 1 1/2" Padded Auto Buckle	\$170
<input type="checkbox"/> 1" Auto Buckle	\$80
<input type="checkbox"/> 1" Padded Auto Buckle	\$170
<input type="checkbox"/> 2" Airline Buckle	\$150
Bodypoint Evoflex - Pelvic Stabilizer	\$219
Size: <input type="checkbox"/> Small (16-24") <input type="checkbox"/> Medium (19-29") <input type="checkbox"/> Large (25-37")	

Armrest continued	
<input type="checkbox"/> Swing Away (8.5" - 12.5")	\$100
<i>Not available with Arm Pads</i>	
<input type="checkbox"/> Omit Armrests	N/C

Clamp-On Mount	
<input type="checkbox"/> Composite Side Guards	\$105
Aluminum Adjustable Fender with Foam Pad	
<input type="checkbox"/> Black Matte	\$385
<input type="checkbox"/> Match Frame Color	\$435
<i>Not available with Hydrographics</i>	
<input type="checkbox"/> Carbon Fiber Adjustable Fender	\$625

Belt Mounting Kit	
<input type="checkbox"/> Ki Mobility Belt Mounting Clamp	\$50
<input type="checkbox"/> Bodypoint Belt Mounting Bracket Kit	\$126

Other Accessories	
<input type="checkbox"/> Tool Kit	\$60
<input type="checkbox"/> Removable Underseat Pouch	\$75
<input type="checkbox"/> Ki Mobility Backpack	\$90
<input type="checkbox"/> Luggage Carrier	\$120
<input type="checkbox"/> Black Neoprene Impact Guards	\$95
<input type="checkbox"/> Under Chair Carrier and Removable Bag	\$85
<i>Not available with Seat Widths less than 14"</i>	
<input type="checkbox"/> Clear Spoke Guards	\$144
<i>Not available with Mag wheel</i>	
<input type="checkbox"/> Black Spoke Guards	\$144
<i>Not available with 20" wheel size or Mag wheel</i>	
<input type="checkbox"/> Cane and Crutch Holder	\$110

Color

Gloss Frame Finish

- Black N/C
- Blue Skies N/C
- Bubblegum Pink N/C
- Candy Blue N/C
- Candy Purple N/C
- Candy Red N/C
- Copper N/C
- Granny Smith N/C
- Metallic Fuchsia N/C
- Metallic Orange N/C
- Silver N/C
- Yellow N/C

Matte Frame Finish

- Army Green N/C
- Charcoal Gray N/C
- Emerald Green N/C
- Iridescent Burgundy N/C
- Iridescent Navy N/C
- Retro Red N/C
- Royal Blue N/C
- Shadow Black N/C
- Smooth White N/C

Hydrographics

Visit www.kimobility.com for current Hydrographic options. Note selection below

- _____ \$595
Not available with Transit Option

Colored Anodizing Package

Select desired color. If no selection is made, black will be used.

	Option	Back Plates ²	Camber Tube ³	Towers	CG Clamps	Side Guard Receivers	RP Tuning Housing	Front Caster ⁴ Forks
	Retail	\$35	\$35	\$35	\$35	\$35	\$35	\$35
Color	Black ¹	<input type="checkbox"/>	<input type="checkbox"/>	<input type="checkbox"/>	<input type="checkbox"/>	<input type="checkbox"/>	<input type="checkbox"/>	<input type="checkbox"/>
	Blue	<input type="checkbox"/>	<input type="checkbox"/>	<input type="checkbox"/>	<input type="checkbox"/>	<input type="checkbox"/>	<input type="checkbox"/>	<input type="checkbox"/>
	Bright Green	<input type="checkbox"/>	<input type="checkbox"/>	<input type="checkbox"/>	<input type="checkbox"/>	<input type="checkbox"/>	<input type="checkbox"/>	<input type="checkbox"/>
	Gold	<input type="checkbox"/>	<input type="checkbox"/>	<input type="checkbox"/>	<input type="checkbox"/>	<input type="checkbox"/>	<input type="checkbox"/>	<input type="checkbox"/>
	Orange	<input type="checkbox"/>	<input type="checkbox"/>	<input type="checkbox"/>	<input type="checkbox"/>	<input type="checkbox"/>	<input type="checkbox"/>	<input type="checkbox"/>
	Pewter	<input type="checkbox"/>	<input type="checkbox"/>	<input type="checkbox"/>	<input type="checkbox"/>	<input type="checkbox"/>	<input type="checkbox"/>	<input type="checkbox"/>
	Pink	<input type="checkbox"/>	<input type="checkbox"/>	<input type="checkbox"/>	<input type="checkbox"/>	<input type="checkbox"/>	<input type="checkbox"/>	<input type="checkbox"/>
	Purple	<input type="checkbox"/>	<input type="checkbox"/>	<input type="checkbox"/>	<input type="checkbox"/>	<input type="checkbox"/>	<input type="checkbox"/>	<input type="checkbox"/>
	Red	<input type="checkbox"/>	<input type="checkbox"/>	<input type="checkbox"/>	<input type="checkbox"/>	<input type="checkbox"/>	<input type="checkbox"/>	<input type="checkbox"/>

¹ Black is no charge

² Not available with Transit Option

³ Not available with Wheelchair Drive Ready

⁴ Available only with Standard or Single Sided

References

A. Seat Width *See Diagram 1*

Measured from outside of frame tube on one side to outside of frame tube on other side.

B. Seat Depth *See Diagram 3*

Measured from front of back posts to front edge of seat sling. Seat sling starts at beginning of bend at front of frame.

C. Sling Position *See Diagram 2*

In Performance Position (0°), sling is at front of frame to keep chair shorter and more maneuverable. The 1" or 2" seat sling position extends the frame in front of the sling by that amount. Adding more frame can improve stability and provide support to aid in transfers.

D. Front Frame Bend *See Diagram 3*

Angle between front seat tube and ground.

E. Footrest Taper *See Diagram 1*

Indicates bend of front frame creating footrest. Taper is measured from outside of seat frame to outside of front tube.

F. Front Seat Height *See Diagram 1*

Measured from floor to top of seat tube at front of seat sling.

G. Footrest Width *See Diagram 1*

Measured from inside of front tube to inside of front tube on other side. Footrest width is listed below for each seat width and taper.

Seat Width	Straight	1" Taper	2" Taper
Outside Measurement	2" Narrower than Seat Width	4" Narrower than Seat Width	6" Narrower than Seat Width
12"	9.5"	7.5"	
13"	10.5"	8.5"	
14"	11.5"	9.5"	
15"	12.5"	10.5"	
16"	13.5"	11.5"	9.5"
17"	14.5"	12.5"	10.5"
18"	15.5"	13.5"	11.5"
19"	16.5"	14.5"	12.5"
20"	17.5"	15.5"	13.5"

H. Seat to Footrest Length *See Diagram 3*

Measured from front edge of seat sling to top rear of footrest. Footrest length of at least 2.5" shorter than front seat height recommended.

I. Rear Seat Height *See Diagram 3*

Measured from floor to top of seat tube at front of back post. Rear seat height is custom to needs.

J. Center of Gravity Preset *See Diagram 3*

Measured from front of back post to center of rear axle. 0" indicates axle will be directly under back post.

K. Rear Wheel Spacing *See Diagram 1*

Measured from outside of seat back to inside of rear tire. Adjustable out .5" from setting.

Diagram 1

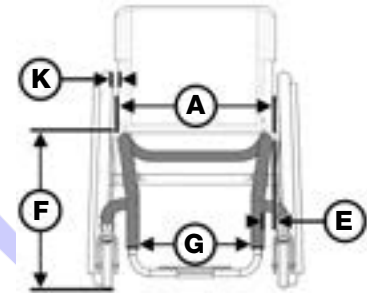


Diagram 2

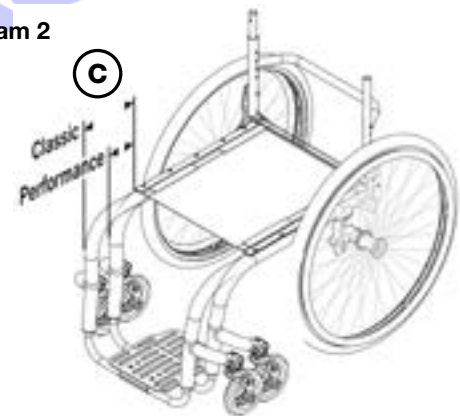
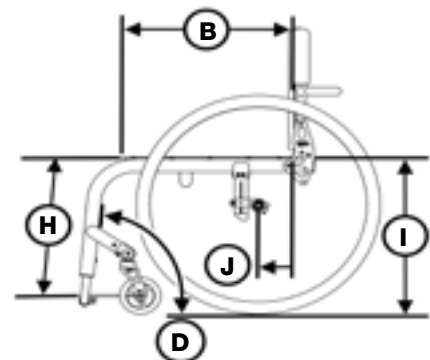


Diagram 3



AXIOM

Axiom G, S and P Cushions

Select size in chart at right. Weight capacity: 350 lbs.

Cushions Under 22" Wide

- Axiom G _____ \$114
- Axiom S _____ \$265
- Axiom P _____ \$352

22" Wide Cushions

- Axiom G _____ \$305
- Axiom S _____ \$395
- Axiom P _____ \$550

Axiom G, S or P Cushion Quantity: 1 2
 If no selection is made, quantity 1 will be selected

		Width								
		14"	15"	16"	17"	18"	19"	20"	21"	22"
Depth	14"	<input type="checkbox"/>								
	15"	<input type="checkbox"/>	<input type="checkbox"/>	<input type="checkbox"/>						
	16"	<input type="checkbox"/>	<input type="checkbox"/>	<input type="checkbox"/>	<input type="checkbox"/>	<input type="checkbox"/>	<input type="checkbox"/>	<input type="checkbox"/>		
	17"	<input type="checkbox"/>	<input type="checkbox"/>	<input type="checkbox"/>	<input type="checkbox"/>	<input type="checkbox"/>	<input type="checkbox"/>	<input type="checkbox"/>		
	18"	<input type="checkbox"/>	<input type="checkbox"/>	<input type="checkbox"/>	<input type="checkbox"/>	<input type="checkbox"/>	<input type="checkbox"/>	<input type="checkbox"/>		<input type="checkbox"/>
	19"		<input type="checkbox"/>	<input type="checkbox"/>	<input type="checkbox"/>	<input type="checkbox"/>	<input type="checkbox"/>	<input type="checkbox"/>		<input type="checkbox"/>
	20"		<input type="checkbox"/>	<input type="checkbox"/>	<input type="checkbox"/>	<input type="checkbox"/>	<input type="checkbox"/>	<input type="checkbox"/>		<input type="checkbox"/>
	21"			<input type="checkbox"/>		<input type="checkbox"/>	<input type="checkbox"/>	<input type="checkbox"/>		<input type="checkbox"/>
22"			<input type="checkbox"/>		<input type="checkbox"/>	<input type="checkbox"/>	<input type="checkbox"/>		<input type="checkbox"/>	

Cushions Under 22" Wide with Extra Outer Cover

- Axiom G Cushion with Extra Outer Cover _____ \$249
- Axiom S Cushion with Extra Outer Cover _____ \$400
- Axiom P Cushion with Extra Outer Cover _____ \$487

Axiom G, S or P Cushion w/Extra Outer Cover Quantity: 1 2
 If no selection is made, quantity 1 will be selected

22" Wide Cushions with Cover

- Axiom G Cushion with Extra Outer Cover _____ \$440
- Axiom S Cushion with Extra Outer Cover _____ \$530
- Axiom P Cushion with Extra Outer Cover _____ \$685

Axiom SP Cushions

Select size in chart at right. Weight capacity: 350 lbs.

Cushions Under 21" Wide

- Axiom SP - Visco _____ \$592
- Axiom SP - Fluid _____ \$592

21" and 22" Wide Cushions

- Axiom SP - Visco _____ \$780
- Axiom SP - Fluid _____ \$780

Axiom SP Cushion Quantity: 1 2
 If no selection is made, quantity 1 will be selected

		Width								
		14"	15"	16"	17"	18"	19"	20"	21"	22"
Depth	14"	<input type="checkbox"/>	<input type="checkbox"/>	<input type="checkbox"/>						
	15"	<input type="checkbox"/>	<input type="checkbox"/>	<input type="checkbox"/>	<input type="checkbox"/>	<input type="checkbox"/>				
	16"	<input type="checkbox"/>	<input type="checkbox"/>	<input type="checkbox"/>	<input type="checkbox"/>	<input type="checkbox"/>	<input type="checkbox"/>	<input type="checkbox"/>		<input type="checkbox"/>
	17"	<input type="checkbox"/>	<input type="checkbox"/>	<input type="checkbox"/>	<input type="checkbox"/>	<input type="checkbox"/>	<input type="checkbox"/>	<input type="checkbox"/>		<input type="checkbox"/>
	18"	<input type="checkbox"/>	<input type="checkbox"/>	<input type="checkbox"/>	<input type="checkbox"/>	<input type="checkbox"/>	<input type="checkbox"/>	<input type="checkbox"/>	<input type="checkbox"/>	<input type="checkbox"/>
	19"	<input type="checkbox"/>	<input type="checkbox"/>	<input type="checkbox"/>	<input type="checkbox"/>	<input type="checkbox"/>	<input type="checkbox"/>	<input type="checkbox"/>	<input type="checkbox"/>	<input type="checkbox"/>
	20"	<input type="checkbox"/>	<input type="checkbox"/>	<input type="checkbox"/>	<input type="checkbox"/>	<input type="checkbox"/>	<input type="checkbox"/>	<input type="checkbox"/>	<input type="checkbox"/>	<input type="checkbox"/>
	21"		<input type="checkbox"/>	<input type="checkbox"/>	<input type="checkbox"/>	<input type="checkbox"/>	<input type="checkbox"/>	<input type="checkbox"/>	<input type="checkbox"/>	<input type="checkbox"/>
22"		<input type="checkbox"/>	<input type="checkbox"/>	<input type="checkbox"/>	<input type="checkbox"/>	<input type="checkbox"/>	<input type="checkbox"/>	<input type="checkbox"/>	<input type="checkbox"/>	

Cushions Under 21" Wide with Extra Outer Cover

- Axiom SP - Visco Cushion w/Extra Outer Cover _____ \$727
- Axiom SP - Fluid Cushion w/Extra Outer Cover _____ \$727

21" and 22" Wide Cushions with Extra Outer Cover

- Axiom SP - Visco Cushion w/Extra Outer Cover _____ \$915
- Axiom SP - Fluid Cushion w/Extra Outer Cover _____ \$915

Axiom SP Cushion w/Extra Outer Cover Quantity: 1 2
 If no selection is made, quantity 1 will be selected

Cushions Under 21" Wide with Extra Inner Cover

- Axiom SP - Visco Cushion w/Extra Inner Cover _____ \$727
- Axiom SP - Fluid Cushion w/Extra Inner Cover _____ \$727

21" and 22" Wide Cushions with Extra Inner Cover

- Axiom SP - Visco Cushion w/Extra Inner Cover _____ \$915
- Axiom SP - Fluid Cushion w/Extra Inner Cover _____ \$915

Axiom SP Cushion w/Extra Inner Cover Quantity: 1 2
 If no selection is made, quantity 1 will be selected

AXIOM

Axiom Cushion Accessories

Outer Covers

- Axiom G Extra Outer Cover _____ \$135
- Axiom S Extra Outer Cover _____ \$135
- Axiom P Extra Outer Cover _____ \$135
- Axiom SP Extra Visco Outer Cover _____ \$135
- Axiom SP Extra Fluid Outer Cover _____ \$135

Outer Cover Quantity: 1 2
If no selection is made, quantity 1 will be selected

Inner Covers

- Axiom SP Extra Visco Inner Cover _____ \$135
- Axiom SP Extra Fluid Inner Cover _____ \$135

Inner Cover Quantity: 1 2
If no selection is made, quantity 1 will be selected

Solid Seat Insert

Select size in chart below. Weight capacity: 350 lbs.

Solid Seat Insert _____ \$73

		Width								
		14"	15"	16"	17"	18"	19"	20"	21"	22"
Depth	14"	<input type="checkbox"/>	<input type="checkbox"/>	<input type="checkbox"/>						
	15"	<input type="checkbox"/>	<input type="checkbox"/>	<input type="checkbox"/>	<input type="checkbox"/>					
	16"	<input type="checkbox"/>	<input type="checkbox"/>	<input type="checkbox"/>	<input type="checkbox"/>	<input type="checkbox"/>	<input type="checkbox"/>			<input type="checkbox"/>
	17"	<input type="checkbox"/>	<input type="checkbox"/>	<input type="checkbox"/>	<input type="checkbox"/>	<input type="checkbox"/>	<input type="checkbox"/>	<input type="checkbox"/>		<input type="checkbox"/>
	18"	<input type="checkbox"/>	<input type="checkbox"/>	<input type="checkbox"/>	<input type="checkbox"/>	<input type="checkbox"/>	<input type="checkbox"/>	<input type="checkbox"/>	<input type="checkbox"/>	<input type="checkbox"/>
	19"	<input type="checkbox"/>	<input type="checkbox"/>	<input type="checkbox"/>	<input type="checkbox"/>	<input type="checkbox"/>	<input type="checkbox"/>	<input type="checkbox"/>	<input type="checkbox"/>	<input type="checkbox"/>
	20"	<input type="checkbox"/>	<input type="checkbox"/>	<input type="checkbox"/>	<input type="checkbox"/>	<input type="checkbox"/>	<input type="checkbox"/>	<input type="checkbox"/>	<input type="checkbox"/>	<input type="checkbox"/>
	21"		<input type="checkbox"/>	<input type="checkbox"/>	<input type="checkbox"/>	<input type="checkbox"/>	<input type="checkbox"/>	<input type="checkbox"/>	<input type="checkbox"/>	<input type="checkbox"/>
22"		<input type="checkbox"/>	<input type="checkbox"/>	<input type="checkbox"/>	<input type="checkbox"/>	<input type="checkbox"/>	<input type="checkbox"/>	<input type="checkbox"/>	<input type="checkbox"/>	

Solid Seat Insert Quantity: 1 2
If no selection is made, quantity 1 will be selected

