



ROGUE ALX HD AADL

AADL #W154C

Effective 10/01/2024

5711- 104 St, Edmonton AB. T6H 2K1
 P: 780-437-3300 • Fax: 780-430-9381
 AADL Vendor: 0000612578-001
www.medmobility.ca • www.mmrehab.ca

Ship To: _____
 Address: _____
 City: _____ State: _____
 Zip: _____ Phone: _____
 Email/Fax: _____

Rogue ALX **\$3490**
 350 lb weight capacity

Discount is 8%

Frame

Seat Width / Seat Depth

Select box corresponding to desired Seat Width and Depth.
 See references A and B on page 6.

		Seat Width							
		16"	17"	18"	19"	20"	21"	22"	
		Price	N/C	N/C	N/C	N/C	N/C	N/C	N/C
Seat Depth	16"	N/C	<input type="checkbox"/>	<input type="checkbox"/>	<input type="checkbox"/>	<input type="checkbox"/>	<input type="checkbox"/>	<input type="checkbox"/>	<input type="checkbox"/>
	17"	N/C	<input type="checkbox"/>	<input type="checkbox"/>	<input type="checkbox"/>	<input type="checkbox"/>	<input type="checkbox"/>	<input type="checkbox"/>	<input type="checkbox"/>
	18"	N/C	<input type="checkbox"/>	<input type="checkbox"/>	<input type="checkbox"/>	<input type="checkbox"/>	<input type="checkbox"/>	<input type="checkbox"/>	<input type="checkbox"/>
	19"	N/C	<input type="checkbox"/>	<input type="checkbox"/>	<input type="checkbox"/>	<input type="checkbox"/>	<input type="checkbox"/>	<input type="checkbox"/>	<input type="checkbox"/>
	20"	N/C	<input type="checkbox"/>	<input type="checkbox"/>	<input type="checkbox"/>	<input type="checkbox"/>	<input type="checkbox"/>	<input type="checkbox"/>	<input type="checkbox"/>

Sling Position

In Performance Position (0"), sling is at front of frame. The 1" or 2" sling position extends the frame in front of the sling by that amount. See reference C on page 6.

- 0" (Performance) _____ N/C
- 1" _____ N/C
- 2" (Classic) _____ N/C

Adjustable Depth

Adds the capability to grow seat in depth

- No Rear Adjustment _____ N/C
- 1/2" _____ N/C
- 1" _____ N/C
- 2" _____ N/C
- 3" _____ N/C

Long Sling

Available only with 1", 2" and 3" Adjustable Depth

- Long Sling _____ N/C
Sling will be maximum 2" longer than seat depth

Front Frame Bend

Angle between front seat tube and ground. See reference D on page 6.

- 80° _____ N/C
- 75° _____ N/C
- 70° _____ N/C

Backrest

Back Post / Height Range / Back Height

Select Back Height in row corresponding to desired Back Post and Height Range

Back Post	Price	Height Range	Back Height				
			11	12	13	14	17
Height Adjustable	N/C	Short	<input type="checkbox"/>	<input type="checkbox"/>	<input type="checkbox"/>	<input type="checkbox"/>	
		Medium	<input type="checkbox"/>	<input type="checkbox"/>	<input type="checkbox"/>	<input type="checkbox"/>	<input type="checkbox"/>
		Tall	<input type="checkbox"/>	<input type="checkbox"/>	<input type="checkbox"/>	<input type="checkbox"/>	<input type="checkbox"/>
Fixed Height ¹	\$63		<input type="checkbox"/>	<input type="checkbox"/>	<input type="checkbox"/>	<input type="checkbox"/>	<input type="checkbox"/>
			<input type="checkbox"/>	<input type="checkbox"/>	<input type="checkbox"/>	<input type="checkbox"/>	<input type="checkbox"/>

¹ Not available with back upholstery

Push Handle

- Omit Push Handle _____ N/C
- Standard Push Handle _____ N/C
- Bolt-On Push Handle (A1) _____ \$156
Handles will be 1" - 2" above back height

A1 = Client's Responsibility
 A2 = Clinical Justification

Backrest continued

Rigidizer Bar

Adjustable Height Rigidizer Bar _____ \$94

Seat Back Angle

Standard is 90° (perpendicular to floor). Minus (-°) closes back angle. Plus (+°) opens back angle.

Standard +3° +6° +9°
 -3° -6° -9° -12°

Back Upholstery

Available only with Height Adjustable Back Posts

Tension Adjustable _____ \$175
 Omit Back Upholstery _____ N/C

Front Seat Height and Casters

Caster Size / Footrest Taper / Front Seat Height

Select Front Seat Height in row corresponding to Footrest Taper and Caster Size.

Footrest Taper indicates bend of front frame creating footrest width. Taper is measured from outside of seat frame to outside of front tube. 2" Taper not available with 70° or 75° Front Frame Bend. Taper is not available with 70° Front Frame Bend. See reference E on page 6.

Front Seat Height is measured from floor to top of seat tube at front of seat sling. Adjustable up or down by 1/2". See reference F on page 6.

Footrest Taper	Caster Size	Front Seat Height											
Straight	6"	<input type="checkbox"/> 15	<input type="checkbox"/> 15.5	<input type="checkbox"/> 16	<input type="checkbox"/> 16.5	<input type="checkbox"/> 17	<input type="checkbox"/> 17.5	<input type="checkbox"/> 18	<input type="checkbox"/> 18.5	<input type="checkbox"/> 19	<input type="checkbox"/> 19.5	<input type="checkbox"/> 20	<input type="checkbox"/> 20.5
1" Taper	6"	<input type="checkbox"/> 18	<input type="checkbox"/> 18.5	<input type="checkbox"/> 19	<input type="checkbox"/> 19.5	<input type="checkbox"/> 20	<input type="checkbox"/> 20.5						
2" Taper	6"	<input type="checkbox"/> 18	<input type="checkbox"/> 18.5	<input type="checkbox"/> 19	<input type="checkbox"/> 19.5	<input type="checkbox"/> 20	<input type="checkbox"/> 20.5						

Caster Type

1" Poly _____ N/C
 1" Pneumatic _____ \$100
 1.5" Poly _____ \$63
 1.5" Soft Roll Aluminum (A1) _____ \$250

Fork Options

Slotted Fork _____ Std
 Caster Pin Locks (A1) _____ \$244
Available only with Slotted Fork

A1 = Client's Responsibility
 A2 = Clinical Justification

Footrest

- Footplate**
- Tubular "Open" Footplate _____ Std
*Not available with footrest widths greater than 17.5".
 See Reference G on page 6.*
 - Tubular Footplate with ABS Cover _____ N/C
*Not available with footrest widths greater than 15.5".
 See Reference G on page 6.*
 - Aluminum Angle Adjustable _____ \$119

Seat to Footrest Length

Measured from front edge of seat sling to top, rear of footrest. Footrest length at least 2.5" shorter than Front Seat Height recommended. See reference H on page 6.

<input type="checkbox"/> 8"	<input type="checkbox"/> 8.5"	<input type="checkbox"/> 9"	<input type="checkbox"/> 9.5"	<input type="checkbox"/> 10"	<input type="checkbox"/> 10.5"
<input type="checkbox"/> 11"	<input type="checkbox"/> 11.5"	<input type="checkbox"/> 12"	<input type="checkbox"/> 12.5"	<input type="checkbox"/> 13"	<input type="checkbox"/> 13.5"
<input type="checkbox"/> 14"	<input type="checkbox"/> 14.5"	<input type="checkbox"/> 15"	<input type="checkbox"/> 15.5"	<input type="checkbox"/> 16"	<input type="checkbox"/> 16.5"
<input type="checkbox"/> 17"	<input type="checkbox"/> 17.5"	<input type="checkbox"/> 18"	<input type="checkbox"/> 18.5"	<input type="checkbox"/> 19"	<input type="checkbox"/> 19.5"

Footrest Protector

- Footrest Protector _____ \$32
Not available with Angle Adjustable Flip Under, High Mount Angle Adjustable Flip Under or High Mount Aluminum Angle Adjustable Footplates

Rear Seat Height and Wheels

Wheel Size / Rear Seat Height

Select Rear Seat Height in row corresponding to desired Wheel Size. For proper setup, selection is required when omitting rear wheels. Measured from floor to top of seat tube at front of back post. Rear Seat Height is custom to needs. See reference I on page 6.

Wheel Size	Rear Seat Height															
20"	<input type="checkbox"/> 12.5 ¹	<input type="checkbox"/> 13	<input type="checkbox"/> 13.5	<input type="checkbox"/> 14	<input type="checkbox"/> 14.5	<input type="checkbox"/> 15	<input type="checkbox"/> 15.5	<input type="checkbox"/> 16	<input type="checkbox"/> 16.5	<input type="checkbox"/> 17	<input type="checkbox"/> 17.5	<input type="checkbox"/> 18	<input type="checkbox"/> 18.5	<input type="checkbox"/> 19	<input type="checkbox"/> 19.5	<input type="checkbox"/> 20
22"	<input type="checkbox"/> 13.5 ¹	<input type="checkbox"/> 14	<input type="checkbox"/> 14.5	<input type="checkbox"/> 15	<input type="checkbox"/> 15.5	<input type="checkbox"/> 16	<input type="checkbox"/> 16.5	<input type="checkbox"/> 17	<input type="checkbox"/> 17.5	<input type="checkbox"/> 18	<input type="checkbox"/> 18.5	<input type="checkbox"/> 19	<input type="checkbox"/> 19.5	<input type="checkbox"/> 20		
24"	<input type="checkbox"/> 14.5 ¹	<input type="checkbox"/> 15	<input type="checkbox"/> 15.5	<input type="checkbox"/> 16	<input type="checkbox"/> 16.5	<input type="checkbox"/> 17	<input type="checkbox"/> 17.5	<input type="checkbox"/> 18	<input type="checkbox"/> 18.5	<input type="checkbox"/> 19	<input type="checkbox"/> 19.5	<input type="checkbox"/> 20				
25"	<input type="checkbox"/> 15 ¹	<input type="checkbox"/> 15.5	<input type="checkbox"/> 16	<input type="checkbox"/> 16.5	<input type="checkbox"/> 17	<input type="checkbox"/> 17.5	<input type="checkbox"/> 18	<input type="checkbox"/> 18.5	<input type="checkbox"/> 19	<input type="checkbox"/> 19.5	<input type="checkbox"/> 20					
26"	<input type="checkbox"/> 15.5 ¹	<input type="checkbox"/> 16	<input type="checkbox"/> 16.5	<input type="checkbox"/> 17	<input type="checkbox"/> 17.5	<input type="checkbox"/> 18	<input type="checkbox"/> 18.5	<input type="checkbox"/> 19	<input type="checkbox"/> 19.5	<input type="checkbox"/> 20						

¹ Available only with Low Profile Rear Tire Type

Camber Bar Tower

- Standard Tower _____ N/C
- Mx Tower (A1) _____ \$156

Standard Tower allows rear seat height adjustment up or down in 1/4" increments. 1" adjustment available; 1/2" in lowest end of range. **Mx Tower** required with select low seat heights or when large rear seat height adjustment range is required. Provides 3" adjustment range in 1/4" increments.

Rear Wheel Type

- Maxx Spoke _____ N/C
- Maxx Mag _____ \$63
Not available in 25" or 26" rear wheels
- Spinergy Spox (A1) _____ \$795
Not available in 20" rear wheel

Color: Black Red White Blue Yellow

Handrim: Short Tab Long Tab

Available only with Aluminum Anodized and Plastic Coated Handrims

Rear Tire Type

Full Profile

- Street Pneumatic 1 3/8" _____ Std
Not available on 25" rear wheel
- Full Poly 1 3/8" _____ \$69
Not available on 25" rear wheel
- Pneumatic with Airless Insert 1 3/8" (A1) _____ \$125
Not available on 25" rear wheel
- Schwalbe HS-127 1 3/8" (A1) _____ \$119
Available only on 24" rear wheel. Not available on Mag wheels.
- Euro Trek Knobby 1 3/8" (A1) _____ \$119
Available only on 24" rear wheel
- Mountain 2" Black (A1) _____ \$156
Available only on 22", 24" and 25" Spoke and Spinergy wheels

Low Profile

- Sentinel Solid Tire 1" (A1) _____ \$119
Not available on 20" and 22" Mag wheels
- High Pressure 1" (A1) _____ \$75
Not available on Mag wheels
- Schwalbe One 1" (A1) _____ \$135
Available only on 24" and 25" rear wheels. Not available on Mag wheels.
- Schwalbe Marathon Plus Evolution 1" (A1) _____ \$156
Not available on Mag, 20" or 22" rear wheels

A1 = Client's Responsibility
 A2 = Clinical Justification

Rear Seat Height and Wheels continued

Handrim

Standard Handrims

- Aluminum Anodized _____ Std
- Plastic Coated _____ \$119
- Projection (8 Vertical Projections) (A2) _____ \$299
Available on 22", 24", 25" and 26" Spoke wheels & 24" Mag wheels w/full tires.
 Clinical justification required.
- Omit Handrim _____ N/C

Natural Fit Handrims

Not available on 20" rear wheel or 22" Mag wheels. Not recommended with Mag wheels.

- Natural Fit LT Regular Grip (A1) _____ \$445
- Natural Fit Standard Regular Grip (A1) _____ \$445
- Natural Fit LT Super Grip (A1) _____ \$495
- Natural Fit Standard Super Grip (A1) _____ \$495
- Natural Fit LT Omit Grip (A1) _____ \$345
- Natural Fit Standard Omit Grip (A1) _____ \$345

Handrim Option

- 3M Micro Grip _____ \$81
Not available on Plastic Coated or Projection Handrims

Axle

- Quick Release _____ Std
- Quad Quick Release (A2) _____ \$231
Not available with Mag wheels

Wheel Locks

Wheel Lock

- Push to Lock _____ Std
- Push to Lock Flush Mount _____ N/C
- Pull to Lock _____ N/C
- Under Seat Scissor Lock _____ N/C
- Low Profile Scissor Lock _____ \$35
Not available with Full Poly or Sentinel Solid tires
- Omit Wheel Locks _____ N/C

Armrests

Armrest Please select Arm Pad option

- Height Adjustable T-Arm (8.5" - 13.5") _____ \$325
1.5" minimum Rear Wheel Spacing
- Height Adjustable T-Arm Low (7.5" - 11.5") _____ \$325
1.5" minimum Rear Wheel Spacing

Arm Pad

Not available with Swing Away Armrests

- Desk Full

A1 = Client's Responsibility
 A2 = Clinical Justification

Center of Gravity Preset

Measured from front of back post to center of rear axle. 0" indicates axle will be directly under back post. See reference J on page 6.

Amputee Positions

<input type="checkbox"/> -1.5"	<input type="checkbox"/> -1.25"	<input type="checkbox"/> -1"	<input type="checkbox"/> -.75"
<input type="checkbox"/> -.5"	<input type="checkbox"/> -.25"	<input type="checkbox"/> 0"	<input type="checkbox"/> .25"

Standard Positions

<input type="checkbox"/> .5"	<input type="checkbox"/> .75"	<input type="checkbox"/> 1"	<input type="checkbox"/> 1.25"
<input type="checkbox"/> 1.5"	<input type="checkbox"/> 1.75"	<input type="checkbox"/> 2"	<input type="checkbox"/> 2.25"
<input type="checkbox"/> 2.5"	<input type="checkbox"/> 2.75"	<input type="checkbox"/> 3"	<input type="checkbox"/> 3.25"
<input type="checkbox"/> 3.5"	<input type="checkbox"/> 3.75"	<input type="checkbox"/> 4"	<input type="checkbox"/> 4.25"

Rear Wheel Spacing

Measured from outside of back to inside of rear tire. Adjustable out 1/2" from setting. 1.5" minimum Rear Wheel Spacing with Height Adjustable T-Arm Armrest. 1" minimum Rear Wheel Spacing with 0° Rear Wheel Camber. See reference K on page 6.

- .75" 1" 1.25" 1.5" 1.75"

Rear Wheel Camber

- 0° 2° 4° 6° 8°

Wheel Lock Options

- Extension Handles _____ \$84
Available only with Push to Lock or Pull to Lock Wheel Locks
- Grade Aids (A2) _____ \$187
Available only with Push to Lock Wheel Locks and Pneumatic or Pneumatic with Airless Insert Rear Tire Types

Armrest continued

- Swing Away (8.5" - 12.5") _____ \$195
Not available with Arm Pads
- Swing Away with Side Guard (8.5" - 12.5") _____ \$395
Includes direct mount receiver. Not available with Arm Pads.
- Omit Armrests _____ N/C

Side Guards

Removable Side Guards

Not available with T-Arm Armrests

- Composite Side Guards - Direct Mount Receiver _____ \$175
- Composite Side Guards - Clamp-on Receiver _____ \$200
- Fender Side Guards (A1) _____ \$350
Includes clamp-on receiver

Accessories

Anti-Tip

- Rear Anti-Tips _____ \$140

Calf Strap

- Velcro Adjustable _____ \$59
- Padded Velcro Adjustable _____ \$85
- Bodypoint Padded AeroMesh _____ \$123

Positioning Belt

- 1 1/2" Auto Buckle _____ \$22
- 1 1/2" Padded Auto Buckle _____ \$170
- 1" Auto Buckle _____ \$80
- 1" Padded Auto Buckle _____ \$170
- 2" Airline Buckle _____ \$150
- Bodypoint Evoflex - Pelvic Stabilizer _____ \$219
 Size: Small (16-24") Medium (19-29") Large (25-37")

Belt Mounting Kit

- Ki Mobility Belt Mounting Clamp _____ \$50
Required to mount ASB
- Bodypoint Belt Mounting Bracket Kit _____ \$126

Frame Color

Gloss Finish

- Black _____ N/C
- Blue _____ N/C

Seat Pan

- Solid Seat Pan (A2) _____ \$245
Seat Pan is 1" longer when Long Sling option is selected

Other Accessories

- Tool Kit (A1) _____ \$45
- Removable Underseat Pouch (A1) _____ \$50
- Ki Mobility Backpack (A1) _____ \$65
- Luggage Carrier (A1) _____ \$120
- Black Neoprene Impact Guards (A1) _____ \$85
- Under Chair Carrier and Removable Bag (A1) _____ \$85
- Clear Spoke Guards (A1) _____ \$144
Not available with Mag wheels
- Black Spoke Guards (A1) _____ \$144
Not available with 20" rear wheel or Mag wheels
- Cane and Crutch Holder (A1) _____ \$195

References

A. Seat Width See Diagram 1

Measured from outside of frame tube on one side to outside of frame tube on other side.

B. Seat Depth See Diagram 3

Measured from front of back posts to front edge of seat sling. Seat sling starts at beginning of bend at front of frame.

C. Sling Position See Diagram 2

In Performance Position (0°), sling is at front of frame to keep chair shorter and more maneuverable. The 1" or 2" seat sling position extends the frame in front of the sling by that amount. Adding more frame can improve stability and provide support to aid in transfers.

D. Front Frame Bend See Diagram 3

Angle between front seat tube and ground.

E. Footrest Taper See Diagram 1

Indicates bend of front frame creating footrest. Taper is measured from outside of seat frame to outside of front tube.

F. Front Seat Height See Diagram 1

Measured from floor to top of seat tube at front of seat sling.

G. Footrest Width See Diagram 1

Measured from inside of front tube to inside of front tube on other side. Footrest width is listed below for each seat width and taper.

Seat Width	Straight	1" Taper	2" Taper
Outside Measurement	2" Narrower than Seat Width	4" Narrower than Seat Width	6" Narrower than Seat Width
16"	13.5"	11.5"	9.5"
17"	14.5"	12.5"	10.5"
18"	15.5"	13.5"	11.5"
19"	16.5"	14.5"	12.5"
20"	17.5"	15.5"	13.5"
21"	18.5"	16.5"	14.5"
22"	19.5"	17.5"	15.5"

H. Seat to Footrest Length See Diagram 3

Measured from front edge of seat sling to top rear of footrest. Footrest length of at least 2.5" shorter than front seat height recommended.

I. Rear Seat Height See Diagram 3

Measured from floor to top of seat tube at front of back post. Rear seat height is custom to needs.

J. Center of Gravity Preset See Diagram 3

Measured from front of back post to center of rear axle. 0" indicates axle will be directly under back post.

K. Rear Wheel Spacing See Diagram 1

Measured from outside of seat back to inside of rear tire. Adjustable out .5" from setting.

Diagram 1

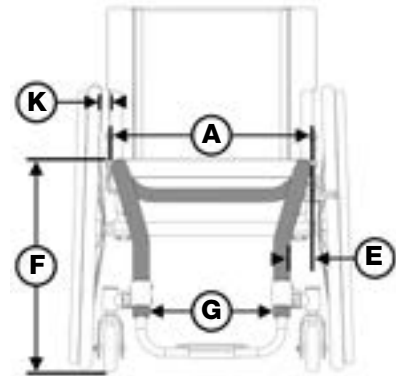


Diagram 2

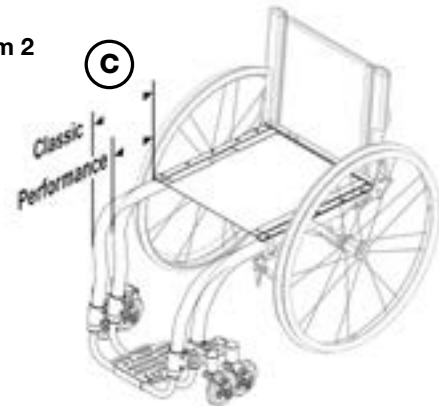
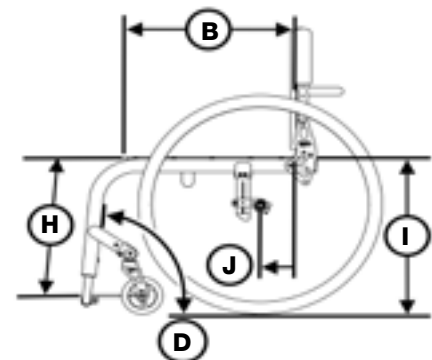


Diagram 3





Phone (800) 981-1540 | Fax (715) 254-0996
 sales@kimobility.com | www.kimobility.com

AADL

Axiom SP Visco - Skin Protection & Positioning Cushion

Weight capacity: 350 lbs

		Width								
		14"	15"	16"	17"	18"	19"	20"	21"	22"
Retail		\$625	\$625	\$625	\$625	\$625	\$625	\$625	\$780	\$780
Depth	14"	XSP1414V	XSP1514V	XSP1614V						
	15"	XSP1415V	XSP1515V	XSP1615V	XSP1715V	XSP1815V				
	16"	XSP1416V	XSP1516V	XSP1616V	XSP1716V	XSP1816V	XSP1916V	XSP2016V		XSP2216V
	17"	XSP1417V	XSP1517V	XSP1617V	XSP1717V	XSP1817V	XSP1917V	XSP2017V		XSP2217V
	18"	XSP1418V	XSP1518V	XSP1618V	XSP1718V	XSP1818V	XSP1918V	XSP2018V	XSP2118V	XSP2218V
	19"	XSP1419V	XSP1519V	XSP1619V	XSP1719V	XSP1819V	XSP1919V	XSP2019V	XSP2119V	XSP2219V
	20"	XSP1420V	XSP1520V	XSP1620V	XSP1720V	XSP1820V	XSP1920V	XSP2020V	XSP2120V	XSP2220V
	21"		XSP1521V	XSP1621V	XSP1721V	XSP1821V	XSP1921V	XSP2021V	XSP2121V	XSP2221V
	22"		XSP1522V	XSP1622V	XSP1722V	XSP1822V	XSP1922V	XSP2022V	XSP2122V	XSP2222V

Axiom SP Visco Extra Covers

Extra Outer Cover _____ \$150

Extra Inner Cover _____ \$150

Star Standard Air Cushions

Star Standard Air Cushion (4" Tall Cells)

		Width									
		13.5"		15.5"		17.25"		19.25"		21"	
		Cushion w/ Std	Extra Incontinent Cover	Cushion w/ Std	Extra Incontinent Cover	Cushion w/ Std	Extra Incontinent Cover	Cushion w/ Std	Extra Incontinent Cover	Cushion w/ Std	Extra Incontinent Cover
Retail		\$780	\$135	\$780	\$135	\$780	\$135	\$780	\$135	\$780	\$135
Depth	13.5"										
	15.5"										
	17.25"										
	19.25"										
	21"										

Star Stabil-Air Cushions

Star Stabil-Air Cushion (4" Tall Cells)

		Width									
		13.5"		15.5"		17.25"		19.25"		21"	
		Cushion w/ Covers	Extra Incontinent Cover	Cushion w/ Covers	Extra Incontinent Cover	Cushion w/ Covers	Extra Incontinent Cover	Cushion w/ Covers	Extra Incontinent Cover	Cushion w/ Covers	Extra Incontinent Cover
Retail		\$825	\$135	\$825	\$135	\$825	\$135	\$825	\$135	\$825	\$135
Depth	13.5"										
	15.5"										
	17.25"										
	19.25"										
	21"										

Stabil-Air Extra Standard Covers

4 Inch Extra Standard Cover _____ \$120



Phone (800) 981-1540 | Fax (715) 254-0996
 sales@kimobility.com | www.kimobility.com

AADL

Axiom Backs

Axiom Posterior Lateral Back (PL)

		Retail	Width		
			16"	18"	20"
			\$690	\$690	\$690
Height	Mid	14"	AXPL1614	AXPL1814	AXPL2014
		16"	AXPL1616	AXPL1816	AXPL2016
		18"	AXPL1618	AXPL1818	AXPL2018
	Tall	20"	AXPL1620	AXPL1820	AXPL2020
		22"	AXPL1622	AXPL1822	AXPL2022

Back Hardware

FXT Hardware is not available with Lateral Support Options

DEX Hardware BTX Hardware FXT Hardware _____ N/C

Axiom Deep Lateral Back (DL)

Does not include Lumbar Pad

		Retail	Width		
			16"	18"	20"
			\$790	\$790	\$790
Height	Mid	14"	AXDL1614	AXDL1814	AXDL2014
		16"	AXDL1616	AXDL1816	AXDL2016
		18"	AXDL1618	AXDL1818	AXDL2018
	Tall	20"	AXDL1620	AXDL1820	AXDL2020
		22"	AXDL1622	AXDL1822	AXDL2022

Back Hardware

DEX Hardware BTX Hardware FXT Hardware _____ N/C

Headrest

		Hardware		
		Multi Axis Removable Hardware with Horizontal Bar		
		HEDHDW201 / HEDHDW217		
Headrest Pad	Description	Item Code	Kio Code	Retail
	Comfort Plus Headrest 8"	CS08MA	CS08MA	\$514.29
	Comfort Plus Headrest 10"	CS10MA	CS10MA	\$514.29
	Comfort Plus Headrest 14"	CS14MA	CS14MA	\$514.29

Not required for Axiom Headrests



Phone (800) 981-1540 | Fax (715) 254-0996
sales@kimobility.com | www.kimobility.com

AADL

Axiom Back Modifications

Extended lead times will apply for all modifications. Makes back non-refundable.

Gloss Finish

If no selection is made, standard Shadow Black will be used with no additional lead time

Opalescent Violet	N/C
Radiant Orange	N/C
Electric Green	N/C
Glacier Blue	N/C
Dark Pink	N/C
Light Pink	N/C
Rich Teal	N/C
Purple Plum	N/C
Black	N/C
Candy Blue	N/C
Candy Purple	N/C
Candy Red	N/C
Granny Smith	N/C
Metallic Orange	N/C
Yellow	N/C

Matte Finish

If no selection is made, standard Shadow Black will be used with no additional lead time

Bright Red	N/C
White	N/C
Dry Earth Tan	N/C
Tactical Green	N/C
Charcoal Gray	N/C
Iridescent Burgundy	N/C
Iridescent Navy	N/C
Royal Blue	N/C

Metallic Finish

If no selection is made, standard Shadow Black will be used with no additional lead time

Blue Steel	N/C
------------	-----