



Phone (800) 981-1540 | Fax (715) 254-0996
 sales@kimobility.com | www.kimobility.com



MEDmobility
 5711- 104 St, Edmonton AB, T6H 2K1
 P: 780-437-3300 • Fax: 780-430-9381
 AADL Vendor: 0000612578-001
 www.medmobility.ca • www.mmrehab.ca



Company: _____ Ship To: _____
 Account Number: _____ Date: _____ Address: _____
 Quote: PO Number: _____ City: _____ Province: _____
 Clinician / Sales Rep: _____ Postal Code: _____ Phone: _____
 Marked For: _____ Email/Fax: _____
 Associated Quote/Order#: _____ Effective: 3/3/2025

Rogue XP	\$4151
Rogue Width Growable Frame Price includes one time free growth kit 200 lb	
Maximum Seat Width of 18"	

Discount is 8%

Frame

Seat Width	Seat Option
<i>See reference A on page 8.</i>	Standard Seat Sling _____ N/C
10" _____ N/C	Solid Seat Pan (A1) _____ \$265
11" _____ N/C	Omit Seat _____ N/C
12" _____ N/C	
13" _____ N/C	Sling Position
14" _____ N/C	<i>See reference C on page 8</i>
15" _____ N/C	0" (Performance) _____ N/C
16" _____ N/C	1" _____ N/C
17" _____ N/C	2" (Classic) _____ N/C
18" _____ N/C	
Seat Depth	Adjustable Depth
<i>See reference B on page 8.</i>	<i>Adds the capability to grow seat in depth. Seat depth plus Adjustable Depth cannot exceed 20.5".</i>
10" _____ N/C	No Rear Adjustment _____ N/C
11" _____ N/C	1/2" _____ N/C
12" _____ N/C	1" _____ N/C
13" _____ N/C	2" _____ \$50
14" _____ N/C	3" _____ \$50
15" _____ N/C	
16" _____ N/C	Front Frame Bend
17" _____ N/C	<i>See reference D on page 8</i>
18" _____ N/C	90° _____ N/C
19" _____ N/C	85° _____ N/C
20" _____ N/C	80° _____ N/C
	75° _____ N/C
	70° _____ N/C
Transit Option	
Transit System (WC-19 Occupied) _____ N/C	
<i>Cannot be retrofitted.</i>	
Omit _____ N/C	



Phone (800) 981-1540 | Fax (715) 254-0996
 sales@kimobility.com | www.kimobility.com



Backrest

Backrest							
Back Post	Price	Height Range	Back Height				
Height Adjustable (Standard or 1" Inward Offset)	N/C	Extra Short ^{1,2}	9"	10"	11"	12"	
		Short ²	11"	12"	13"	14"	¹
		Tall ²	13"	14"	15"	16"	
			17"	18"			
Height Adjustable (Integrated Handle)	N/C	Short ^{4,5}	13"	14"	15"	16"	17"
		Tall ^{4,5}	15"	16"	17"	18"	19"
			20"	21"	22"		
Fixed Height (Straight or 1" Inward Offset)	N/C	Fixed Straight ³	9" ¹	10" ¹	11" ¹	12"	13"
			14"	15"	16"	17"	18"
Fixed Height 2" Offset	N/C	Fixed Offset 2" ³	11" ¹	12" ¹	13" ¹	14" ¹	
			15"	16"	17"		

- 1** Not available with Fold Down Push Handle
- 2** Each Offset Back Post is offset 1/2" creating 1" overall offset. Only Available with Standard or 1" Inward Offset.
- 3** Uses 1" tubes compatible with after-market backs. Not available with back upholstery. 2" Inward or Outward Offset Back Posts are offset 1" creating 2" overall offset. 1" Offset Back Post is offset 1/2" creating 1" overall offset
- 4** Push Handles not available in combination with the Height Adjustable Integrated Handle
- 5** 18" max Back Height in combination with Back Upholstery

Back Post Option

Standard - No Offset	N/C
1" Inward Offset	N/C
2" Inward Offset	\$120
<i>Not available with Height Adjustable Back Post</i>	
2" Outward Offset	\$120
<i>Not available with Height Adjustable Back Post or Swing Away Armrest</i>	
Height Adjustable Integrated Handle (A1)	\$450
<i>Defaults to Standard - No Offset</i>	

Push Handle

Omit Push Handle	N/C
Standard Push Handle	N/C
Fold Down Push Handle (A1)	\$145
<i>Not available on Height Adjustable Back Posts with 9"-11" Back Heights or Offset Back Posts with 11"-14" Back Heights.</i>	
Low Profile Push Handle (A1)	\$85
<i>2" shorter than standard push handles.</i>	

Rigidizer Bar Mounted Push Handle

Ergo Stroller Handle	\$210
Single Stroller Handle	\$210
Double Stroller Handle (A1)	\$395
<i>Not available with 10" Seat Width.</i>	

Seat Back Angle

Standard is 90° (perpendicular to floor). Minus (-°) closes back angle. Plus (+°) opens back angle.

Standard	-2°	+2°	-4°	+4°	-6°	
+6°	-8°	+8°	-10°	+10°		N/C

Back Upholstery Options

Available only with Height Adjustable Back Posts. If selecting both upholstery and Axiom Back, the upholstery will be installed.

Padded Velcro Adjustable with Standard Cover	N/C
Padded Velcro Adjustable with Air Mesh Breathable Cover	\$75
<i>Not available on chair widths less than 12".</i>	
Tension Adjustable with Standard Cover	\$285
Tension Adjustable with Air Mesh Breathable Cover	\$390
<i>Not available on chair widths less than 12".</i>	
Omit	-\$10



Phone (800) 981-1540 | Fax (715) 254-0996
 sales@kimobility.com | www.kimobility.com



Front Seat Height and Casters

Caster Size / Footrest Taper / Front Seat Height

Select Footrest Taper (reference E, p.8), Caster Size then Front Seat Height (reference F, p.8) in the corresponding row. 6" casters not available with 85° and 90° Front Frame Bend. 1" Taper is not available with 70° Front Frame bend.

Footrest Taper	Caster Size	Front Seat Height														
		13.5"	14"	14.5"	15"	15.5"	16"	16.5"	17"	17.5"	18"	18.5"	19"	19.5"	20"	20.5"
Straight	3"	13.5"	14"	14.5"	15"	15.5"	16"	16.5"	17"	17.5"	18"	18.5"	19"	19.5"	20"	20.5"
	4"	14"	14.5"	15"	15.5"	16"	16.5"	17"	17.5"	18"	18.5"	19"	19.5"	20"	20.5"	
	5"	14.5"	15"	15.5"	16"	16.5"	17"	17.5"	18"	18.5"	19"	19.5"	20"	20.5"		
	6"	15"	15.5"	16"	16.5"	17"	17.5"	18"	18.5"	19"	19.5"	20"	20.5"			
1"	3"	16.5"	17"	17.5"	18"	18.5"	19"	19.5"	20"	20.5"						
	4"	17"	17.5"	18"	18.5"	19"	19.5"	20"	20.5"							
	5"	17.5"	18"	18.5"	19"	19.5"	20"	20.5"								
	6"	18"	18.5"	19"	19.5"	20"	20.5"									

Castors

Caster Type	Caster Size	Price	3"	4"	5"	6"
Caster Type	.75" Rollerblade	N/C				
	.75" Lighted Rollerblade	\$88				
	1.25" Soft Roll	N/C				
	1" Poly Aluminum	\$145				
	1" Pneumatic	\$120				
	1.5" Soft Roll	\$70				
	1.5" Soft Roll Aluminum	\$185				

Fork Options

Standard Fork	N/C
Single Sided Fork (A1)	\$170
Frog Legs II Suspension System (A1)	\$485
<i>Not included in Colored Anodizing Package</i>	

Footrest

Footplates

Tubular "Open" Footplate	N/C
<i>Not available with footrest widths less than 9.5". See Reference G on page 8.</i>	
Tubular Footplate with ABS Cover	\$38
<i>Not available with footrest widths less than 9.5". See Reference G on page 8.</i>	
Aluminum Angle Adjustable	\$95
Aluminum Angle Adjustable with Riser	\$190
High Mount Aluminum Angle Adjustable	\$190
Angle Adjustable Flip Under	\$230
<i>Not available with footrest widths less than 9.5". See Reference G on page 8.</i>	
High Mount Angle Adjustable Flip Under	\$295
<i>Not available w/footrest widths greater than 15.5". See Reference G on 8.</i>	
Hybrid Angle Adjustable	\$100
Hybrid Angle Adjustable with Wings (A1)	\$125

Footrest Protector

Footrest Protector	N/C
<i>Not available with Angle Adjustable Flip Under, High Mount Angle Adjustable Flip Under or High Mount Aluminum Angle Adjustable Footplates</i>	

Seat to Footrest Length

See reference H on page 8. Should be at least 2.5" shorter than Front Seat Height.

8"	8.5"	9"	9.5"	10"	10.5"
11"	11.5"	12"	12.5"	13"	13.5"
14"	14.5"	15"	15.5"	16"	16.5"
17"	17.5"	18"	18.5"	19"	19.5"



Phone (800) 981-1540 | Fax (715) 254-0996
 sales@kimobility.com | www.kimobility.com



Rear Seat Height and Wheels

Rear Seat Height

Select Rear Seat Height (reference I, p. 8) in row corresponding to desired Wheel Size. Selection is required.

Wheel Size	Rear Seat Height															
18"	11.5" ¹	12"	12.5"	13"	13.5"	14"	14.5"	15"	15.5"	16"	16.5"	17"	17.5"	18"	18.5"	19"
20"	12.5" ¹	13"	13.5"	14"	14.5"	15"	15.5"	16"	16.5"	17"	17.5"	18"	18.5"	19"	19.5"	20"
22"	13.5" ¹	14"	14.5"	15"	15.5"	16"	16.5"	17"	17.5"	18"	18.5"	19"	19.5"	20"		
24"	14.5" ¹	15"	15.5"	16"	16.5"	17"	17.5"	18"	18.5"	19"	19.5"	20"				
25"	15" ¹	15.5"	16"	16.5"	17"	17.5"	18"	18.5"	19"	19.5"	20"					

¹ Available only with Low Profile tires

One Arm Drive

One Arm Drive - Quick Release _____ \$1825
Not available with 10" seat width. Only available with 20", 22" and 24" spoke wheels and Quick Release Axles. Spoke wheel style is exclusive to OAD. Limitations exist based on rear wheel spacing, camber and armrest selections.

Left Side Drive _____ N/C
 Right Side Drive _____ N/C
 Aluminum Drive Handrim _____ N/C
 Poly Coated Drive Handrim _____ \$200

Rear Tire Type

Full Profile

Street Pneumatic 1 3/8" _____ N/C
Not available on 25" wheel size.
 Full Poly 1 3/8" _____ N/C
Not available on Superlight wheel or 25" wheel size.
 Pneumatic with Airless Insert 1 3/8" (A1) _____ \$200
Not available on Superlight wheel or 25" wheel size.
 Schwalbe HS-127 1 3/8" (A1) _____ \$119
Available only on 24" wheel size. Not available on Mag wheel.
 Mountain 2" Black (A1) _____ \$95
Available only on 22", 24" and 25" MAXX Spoke and Spinerge wheels

Wheels

No selection needed with One Arm Drive.

		Rear Wheel Size					
		Price	18"	20"	22"	24"	25"
Rear Wheel Type	Maxx Spoke	N/C					
	Mag	\$95					
	Colored Mag (A1) ²	\$140					
	Superlight Spoke (A1)	\$305					¹
	Spinerge Spox (A1)	\$845					
	Spinerge LX (A1)	\$1050					

¹ Available only with Superlight and Plastic Coated Handrims

² Mag color selection is on page 7

Low Profile

Low Poly 1" _____ N/C
Not available on Superlight wheel or 25" wheel size.
 Sentinel Solid Tire 1" (A1) _____ \$120
Not available on Superlight Wheels
 High Pressure 1" (A1) _____ \$100
Not available on Mag wheel or 18" wheel size.
 Schwalbe One 1" (A1) _____ \$135
Available only on 24" and 25" wheel sizes. Not available on Mag wheel.
 Schwalbe Marathon Plus Evolution 1" (A1) _____ \$145
Available only on 24" and 25" wheel sizes. Not available on Mag wheel.

Spinerge Options

Select spoke color for Spinerge wheels.

Black Spokes Red Spokes White Spokes Blue Spokes _____ N/C



Phone (800) 981-1540 | Fax (715) 254-0996
 sales@kimobility.com | www.kimobility.com



Handrims

Standard Handrims

Aluminum Anodized	N/C
Superlight Aluminum Anodized	\$50
<i>Available only on 24" and 25" wheel sizes. Available only on MAXX Spoke, Superlight or Spinergy wheels. Not available with One Arm Drive.</i>	
Plastic Coated	\$119
Projection (8 Vertical Projections) (A2)	\$325
<i>Available only with full profile tires in combination with 22" and 24" MAXX Spoke wheels, or 22" and 24" Mag wheels. Not available with One Arm Drive.</i>	
Omit Handrim	N/C

Ergonomic Handrims

Not available with 20" wheels

Ergo Lite Regular Grip (A1)	\$475
Ergo Standard Regular Grip (A1)	\$445
Ergo Lite Extra Grip (A1)	\$515
Ergo Standard Extra Grip (A1)	\$495
Ergo Lite Omit Grip (A1)	\$395
Ergo Standard Omit Grip (A1)	\$345

Handrim Options

Handrim Mount

If no selection is made, Standard Mount will be used

Close Mount	N/C
<i>Reduces overall width by .75"</i>	

Micro-Grip

3M Micro Grip	\$81
<i>Not available on Plastic Coated or Projection Handrims.</i>	

Axles

No selection needed with One Arm Drive or Drum Brake

Quick Release	N/C
Quad Quick Release (A2)	\$219
<i>Not available with Mag or Spinergy wheels.</i>	

Wheel Locks

Wheel Lock

Push to Lock	N/C
Push to Lock Flush Mount	N/C
Pull to Lock	N/C
Under Seat Scissor Lock	N/C
Low Profile Scissor Lock	\$125
<i>Not available with Full Poly tires</i>	
Drum Brake (A1)	\$800
<i>Available only with 20", 22" and 24" MAXX Spoke wheels. Not available with Low Profile or Fold Down Push Handles, or Ergo and Single Stroller Handles without integrated push handles. Axle is Quick Release.</i>	
Dual - Drum Brake with Push to Lock (A1)	\$945
<i>Available only with 20", 22" and 24" MAXX Spoke wheels. Not available with Low Profile or Fold Down Push Handles, or Ergo and Single Stroller Handles without integrated push handles. Axle is Quick Release.</i>	
Dual - Drum Brake with Pull to Lock (A1)	\$945
<i>Available only with 20", 22" and 24" MAXX Spoke wheels. Not available with Low Profile or Fold Down Push Handles, or Ergo and Single Stroller Handles without integrated push handles. Axle is Quick Release.</i>	
Omit	N/C

Rear Wheel Camber

The following apply if One Arm Drive is selected: 6° and 8° not available. 4° not available with T-Arms. 0° required with the combination of a 5th Wheel and Seat Widths less than 16".

0°	2°	4°	6°	8°	N/C
----	----	----	----	----	-----

Center of Gravity Presets

2" minimum Center of Gravity with 5th Wheel and One Arm Drive. See reference J on page 8.

Amputee Positions					
-1.5"	-1.25"	-1"	-.75"	-.5"	-.25"
0"	.25"				
Standard Positions					
.5"	.75"	1"	1.25"	1.5"	1.75"
2"	2.25"	2.5"	2.75"	3"	3.25"
3.5"	3.75"	4"	4.25"		

Rear Wheel Spacing

1.5" minimum with T-Arms. 1.25" minimum with Spinergy Wheels. 1.75" minimum with One Arm Drive and T-Arms. See Reference K on page 8.

0.75"	1"	1.25"	1.5"	1.75"	N/C
-------	----	-------	------	-------	-----

Wheel Lock Options

Extension Handles	\$86
<i>Available only with Push to Lock or Pull to Lock Wheel Locks.</i>	
Grade Aids (A2)	\$187
<i>Available only with Push to Lock Wheel Locks and Pneumatic or Pneumatic with Airless Insert tires</i>	



Phone (800) 981-1540 | Fax (715) 254-0996
 sales@kimobility.com | www.kimobility.com



Armrests

Armrest Type	Length	Price
Height Adjustable T-Arm Tall (11.5"-15") ¹	Desk	\$384
	Full	
Height Adjustable T-Arm (8.5"-13.5") ¹	Desk	\$384
	Full	
Height Adjustable T-Arm Low (6.5"-10.5") ²	Desk	\$384
	Full	
Angle Adjustable Locking Extendable Flip Up ³	Desk	\$295
	Full	

- ¹ Not available with Seat Depths less than 13". 1.5" minimum Rear Wheel Spacing
² Not available with Seat Depths less than 12". 1.5" minimum Rear Wheel Spacing. If requested configuration is unavailable, Standard Height T-Arm will be used.
³ Requires Fixed Height Backrest. Not available with backrest heights less than 12"
⁴ Not available with Arm Pads or Outward Offset Back Posts. If selection is not available with rear wheel and rear seat height configuration, then Tall Swing Away armrest will be used.
⁵ Not available with Arm Pads or Outward Offset Back Posts.
⁶ Includes Composite Side Guard with Direct Mount Receiver. Not available with Arm Pads or Outward Offset Back Posts. If selection is not available with rear wheel and rear seat height configuration, then Tall Swing Away with Side Guard armrest will be used.
⁷ Includes Composite Side Guard with Direct Mount Receiver. Not available with Arm Pads or Outward Offset Back Posts.

Armrest Type	Price
Short Swing Away (7" - 9") ⁴	\$236
Tall Swing Away (9.25" - 11.25") ⁵	\$236
Short Swing Away with Side Guards (7"-9") ⁶	\$384
Tall Swing Away with Side Guards (9.25" - 11.25") ⁷	\$384
Omit Armrests	N/C

Arm Pads

Not available with Swing Away Armrests

Standard Arm Pad	N/C
Waterfall Arm Pad (A1)	\$25
<i>Not available with Angle Adjustable Locking Extendable Flip Up Armrest.</i>	
Foam Grip	N/C
<i>Available only with Angle Adjustable Locking Extendable Flip Up Armrest.</i>	

Side Guards

Direct Mount Side Guards

Not available with T-Arms or Swing Away with Side Guard Armrests.

Composite Side Guards - Direct Mount Receiver	\$145
<i>12" minimum Seat Depth.</i>	
Aluminum Straight - Direct Mount Receiver - Black Matte (A1)	\$355
<i>12" minimum Seat Depth.</i>	
Aluminum Straight - Direct Mount Receiver - Match Frame Color (A1)	\$405
<i>12" minimum Seat Depth. Not available with Hydrographics</i>	
Aluminum Adjustable Fender w/Foam Pad - Direct Mount Receiver - Black Matte (A1)	\$365
<i>Not available with Adjustable Depth greater than 1/2".</i>	
Aluminum Adjustable Fender w/Foam Pad - Direct Mount Receiver - Match Frame Color (A1)	\$405
<i>Not available with Adjustable Depth greater than 1/2". Not available with Hydrographics.</i>	
Carbon Fiber Adjustable Fender - Direct Mount Receiver (A1)	\$595
<i>Not available with Adjustable Depth greater than 1/2".</i>	

Clamp-On Mount Side Guards

Not available with T-Arms or Swing Away with Side Guard Armrests.

Composite Side Guards - Clamp-On Receiver (A2)	\$175
<i>12" minimum Seat Depth.</i>	
Composite Side Guards - Pediatric - Clamp-On Receiver	\$160
Aluminum Straight - Clamp On Receiver - Black Matte	\$385
<i>12" minimum Seat Depth</i>	
Aluminum Adjustable Fender w/Foam Pad - Clamp-On Receiver - Match Frame Color	\$435
<i>12" minimum Seat Depth. Not available with Hydrographics.</i>	
Aluminum Adjustable Fender w/Foam Pad - Clamp-On Receiver - Black Matte	\$395
Aluminum Adjustable Fender w/Foam Pad - Clamp-On Receiver - Match Frame Color	\$435
<i>Not available with Hydrographics.</i>	
Carbon Fiber Adjustable Fender - Clamp-On Receiver	\$625

Side Guard Spacer Option

Allows backrest to fold between the Side Guards. Option must be selected when ordering Side Guards. Available only with 1.75" Rear Wheel Spacing.

No Side Guard Spacers	N/C
Side Guards Spacers	\$20

Accessories

5th Wheel

Rotating removable rear caster. Not available with 25" rear wheel.

Standard 5th Wheel	\$225
Dynamic 5th Wheel	\$245
Soft Elastomer Firm Elastomer	N/C

Both elastomers are included; the selected elastomer will be installed.

Anti - Tips

User Activated not available with One Arm Drive

Rear Anti-Tips	\$110
User Activated - Pair (A1)	\$450
User Activated - Left (A1)	\$225
User Activated - Right (A1)	\$225
Omit	N/C



Phone (800) 981-1540 | Fax (715) 254-0996
 sales@kimobility.com | www.kimobility.com



Pelvic Positioning Belts

1" Auto Buckle Pelvic Positioning Belt	\$80
1" Padded Auto Buckle Pelvic Positioning Belt	\$185
1 1/2" Auto Buckle Pelvic Positioning Belt	\$80
1 1/2" Padded Auto Buckle Pelvic Positioning Belt	\$185
Small Flex-Mount Positioning Belt (16-24")	\$173
Medium Flex-Mount Positioning Belt (19-29")	\$173
Large Flex-Mount Positioning Belt (25-37")	\$173

Belt Mounting Kit

Ki Mobility Belt Mounting Clamp	\$50
Bodypoint Belt Mounting Bracket Kit (A1)	\$126

Calf Strap

Velcro Adjustable	\$52
Padded Velcro Adjustable	\$85
Padded Airmesh Calf Strap (A2)	\$130

Spoke Guards

Not available with Mags. Black not available in 18" or 20". Themed Spoke Guards available in 20" and 22".

Clear Spoke Guards (A1)	\$144
Black Spoke Guards (A1)	\$144
Blue Monster Spoke (A1)	\$275
Robo Fun Spoke Guards (A1)	\$275
Tutu Cute Spoke Guards (A1)	\$275
Tuxedo Time Spoke Guards (A1)	\$275

Other Accessories

Tool Kit (A1)	\$60
Removable Underseat Pouch (A1)	\$75
Pediatric Ki Mobility Backpack (A1)	\$90
Ki Mobility Backpack (A1)	\$90
Luggage Carrier (A1)	\$120
Black Neoprene Impact Guards (A1)	\$102
Under Chair Carrier and Removable Bag (A1)	\$85
<i>Not available with Seat Widths less than 14" or scissor locks.</i>	
Cane and Crutch Holder (A1)	\$110

Color

Frame Color

Frame/Accent: Select desired frame and accent colors. If no accent color from Package 1 is selected, frame color will be used. Touch-up paint available for purchase in the parts manual.

Options	Price	Colors																				
		Gloss													Matte							
		Black	Ruby Red	Radiant Orange	Yellow	Electric Green	Rich Teal	Glacier Blue	Blue Steel	Deep Sapphire Blue	Purple Plum	Opalescent Violet	Dark Pink	Light Pink	Champagne	Shadow Black	Iridescent Navy	Bright Red	Tactical Green	Dry Earth Tan	Platinum	White
Frame	N/C																					
Color Accent Package 1 ¹	N/C																					
Color Accent Package 2 ²	N/C																					
Maxx Mag Color																						
Color Anodizing ³ Package	Black	Blue	BrightGreen	Orange	Pewter	Pink	Purple	Red	Gold													
	N/C	\$350	\$350	\$350	\$350	\$350	\$350	\$350	\$350													

¹ Includes backrest rigidizer bar.

² Includes backplates, towers, tower clamps, and camber tube.

³ Included in Colored Anodizing Package: Backrest plates, camber tube (not available with Wheelchair Drive Ready selection), towers, CG clamps (not available with negative Center of Gravity or Wheelchair Drive Ready selections), side guard receivers, RP tuning housing, front caster forks (standard or Single Sided) and Dynamic 5th Wheel split clamp. Extended lead-time may apply.

References

A. Seat Width See Diagram 1

Measured from outside of frame tube on one side to outside of frame tube on other side.

B. Seat Depth See Diagram 3

Measured from front of back posts to front edge of seat sling. Seat sling starts at beginning of bend at front of frame.

C. Sling Position See Diagram 2

In Performance Position (0°), sling is at front of frame to keep chair shorter and more maneuverable. The 1" or 2" seat sling position extends the frame in front of the sling by that amount. Adding more frame can improve stability and provide support to aid in transfers.

D. Front Frame Bend See Diagram 3

Angle between front seat tube and ground.

E. Footrest Taper See Diagram 1

Indicates bend of front frame creating footrest. Taper is measured from outside of seat frame to outside of front tube.

F. Front Seat Height See Diagram 1

Measured from floor to top of seat tube at front of seat sling.

G. Footrest Width See Diagram 1

Measured from inside of front tube to inside of front tube on other side. Footrest width is listed below for each seat width and taper.

Seat Width	Straight	1" Taper
Outside Measurement	2" Narrower than Seat Width	4" Narrower than Seat Width
10"	7.5"	
11"	8.5"	
12"	9.5"	7.5"
13"	10.5"	8.5"
14"	11.5"	9.5"
15"	12.5"	10.5"
16"	13.5"	11.5"
17"	14.5"	12.5"
18"	15.5"	13.5"

H. Seat to Footrest Length See Diagram 3

Measured from front edge of seat sling to top rear of footrest. Footrest length of at least 2.5" shorter than front seat height recommended.

I. Rear Seat Height See Diagram 3

Measured from floor to top of seat tube at front of back post. Rear seat height is custom to needs.

J. Center of Gravity Preset See Diagram 3

Measured from front of back post to center of rear axle. 0" indicates axle will be directly under back post.

K. Rear Wheel Spacing See Diagram 1

Measured from outside of seat back to inside of rear tire. Adjustable out .5" from setting.

Diagram 1

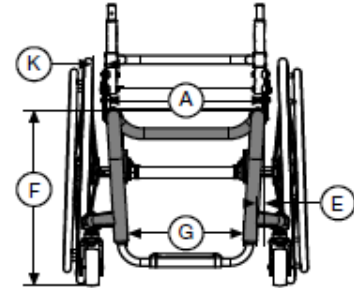


Diagram 2

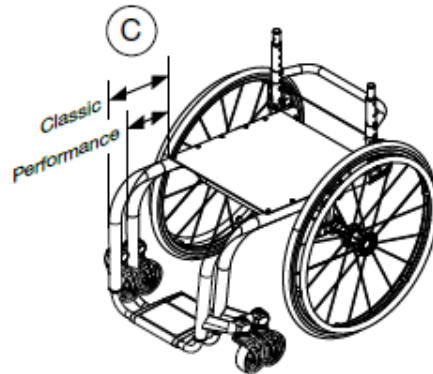
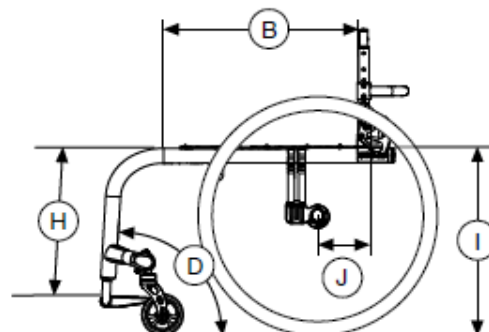


Diagram 3





Phone (800) 981-1540 | Fax (715) 254-0996
 sales@kimobility.com | www.kimobility.com



Axiom for Kids P - Positioning Cushion

Weight Capacity 165 lbs / 75 kg. Cushion includes 2 outer covers of the selected color. Cover Color Code Black=BLK, Blue=BLU, Purple=PUR.

Width	8"	9"	10"	11"	12"	13"	14"	15"	16"	
Retail	\$625									
Depth	8"	PXP0808BLK	PXP0908BLK	PXP1008BLK						
		PXP0808BLU	PXP0908BLU	PXP1008BLU						
		PXP0808PUR	PXP0908PUR	PXP1008PUR						
	9"	PXP0809BLK	PXP0909BLK	PXP1009BLK	PXP1109BLK					
		PXP0809BLU	PXP0909BLU	PXP1009BLU	PXP1109BLU					
		PXP0809PUR	PXP0909PUR	PXP1009PUR	PXP1109PUR					
	10"	PXP0810BLK	PXP0910BLK	PXP1010BLK	PXP1110BLK	PXP1210BLK	PXP1310BLK			
		PXP0810BLU	PXP0910BLU	PXP1010BLU	PXP1110BLU	PXP1210BLU	PXP1310BLU			
		PXP0810PUR	PXP0910PUR	PXP1010PUR	PXP1110PUR	PXP1210PUR	PXP1310PUR			
	11"			PXP1011BLK	PXP1111BLK	PXP1211BLK	PXP1311BLK	PXP1411BLK		
				PXP1011BLU	PXP1111BLU	PXP1211BLU	PXP1311BLU	PXP1411BLU		
				PXP1011PUR	PXP1111PUR	PXP1211PUR	PXP1311PUR	PXP1411PUR		
	12"			PXP1012BLK	PXP1112BLK	PXP1212BLK	PXP1312BLK	PXP1412BLK		
				PXP1012BLU	PXP1112BLU	PXP1212BLU	PXP1312BLU	PXP1412BLU		
				PXP1012PUR	PXP1112PUR	PXP1212PUR	PXP1312PUR	PXP1412PUR		
	13"			PXP1013BLK	PXP1113BLK	PXP1213BLK	PXP1313BLK	PXP1413BLK	PXP1513BLK	
				PXP1013BLU	PXP1113BLU	PXP1213BLU	PXP1313BLU	PXP1413BLU	PXP1513BLU	
				PXP1013PUR	PXP1113PUR	PXP1213PUR	PXP1313PUR	PXP1413PUR	PXP1513PUR	
	14"			PXP1014BLK	PXP1114BLK	PXP1214BLK	PXP1314BLK	PXP1414BLK	PXP1514BLK	PXP1614BLK
				PXP1014BLU	PXP1114BLU	PXP1214BLU	PXP1314BLU	PXP1414BLU	PXP1514BLU	PXP1614BLU
				PXP1014PUR	PXP1114PUR	PXP1214PUR	PXP1314PUR	PXP1414PUR	PXP1514PUR	PXP1614PUR
	15"					PXP1215BLK	PXP1315BLK	PXP1415BLK	PXP1515BLK	PXP1615BLK
						PXP1215BLU	PXP1315BLU	PXP1415BLU	PXP1515BLU	PXP1615BLU
						PXP1215PUR	PXP1315PUR	PXP1415PUR	PXP1515PUR	PXP1615PUR
16"					PXP1216BLK	PXP1316BLK	PXP1416BLK	PXP1516BLK	PXP1616BLK	
					PXP1216BLU	PXP1316BLU	PXP1416BLU	PXP1516BLU	PXP1616BLU	
					PXP1216PUR	PXP1316PUR	PXP1416PUR	PXP1516PUR	PXP1616PUR	
17"						PXP1317BLK	PXP1417BLK	PXP1517BLK	PXP1617BLK	
						PXP1317BLU	PXP1417BLU	PXP1517BLU	PXP1617BLU	
						PXP1317PUR	PXP1417PUR	PXP1517PUR	PXP1617PUR	
18"						PXP1318BLK	PXP1418BLK	PXP1518BLK	PXP1618BLK	
						PXP1318BLU	PXP1418BLU	PXP1518BLU	PXP1618BLU	
						PXP1318PUR	PXP1418PUR	PXP1518PUR	PXP1618PUR	



Phone (800) 981-1540 | Fax (715) 254-0996
 sales@kimobility.com | www.kimobility.com



Axiom for Kids SP - Skin Protection and Positioning Cushion

Weight Capacity 165 lbs. / 75 kg. Cushion includes 2 outer covers of the selected color. Cover Color Code Black=BLK, Blue=BLU, Purple=PUR.

Width	8"	9"	10"	11"	12"	13"	14"	15"	16"	
Retail	\$625									
Depth	8"	PXSP0808BLK	PXSP0908BLK	PXSP1008BLK						
		PXSP0808BLU	PXSP0908BLU	PXSP1008BLU						
		PXSP0808PUR	PXSP0908PUR	PXSP1008PUR						
	9"	PXSP0809BLK	PXSP0909BLK	PXSP1009BLK	PXSP1109BLK					
		PXSP0809BLU	PXSP0909BLU	PXSP1009BLU	PXSP1109BLU					
		PXSP0809PUR	PXSP0909PUR	PXSP1009PUR	PXSP1109PUR					
	10"	PXSP0810BLK	PXSP0910BLK	PXSP1010BLK	PXSP1110BLK	PXSP1210BLK	PXSP1310BLK			
		PXSP0810BLU	PXSP0910BLU	PXSP1010BLU	PXSP1110BLU	PXSP1210BLU	PXSP1310BLU			
		PXSP0810PUR	PXSP0910PUR	PXSP1010PUR	PXSP1110PUR	PXSP1210PUR	PXSP1310PUR			
	11"			PXSP1011BLK	PXSP1111BLK	PXSP1211BLK	PXSP1311BLK	PXSP1411BLK		
				PXSP1011BLU	PXSP1111BLU	PXSP1211BLU	PXSP1311BLU	PXSP1411BLU		
				PXSP1011PUR	PXSP1111PUR	PXSP1211PUR	PXSP1311PUR	PXSP1411PUR		
	12"			PXSP1012BLK	PXSP1112BLK	PXSP1212BLK	PXSP1312BLK	PXSP1412BLK		
				PXSP1012BLU	PXSP1112BLU	PXSP1212BLU	PXSP1312BLU	PXSP1412BLU		
				PXSP1012PUR	PXSP1112PUR	PXSP1212PUR	PXSP1312PUR	PXSP1412PUR		
	13"			PXSP1013BLK	PXSP1113BLK	PXSP1213BLK	PXSP1313BLK	PXSP1413BLK	PXSP1513BLK	
				PXSP1013BLU	PXSP1113BLU	PXSP1213BLU	PXSP1313BLU	PXSP1413BLU	PXSP1513BLU	
				PXSP1013PUR	PXSP1113PUR	PXSP1213PUR	PXSP1313PUR	PXSP1413PUR	PXSP1513PUR	
	14"			PXSP1014BLK	PXSP1114BLK	PXSP1214BLK	PXSP1314BLK	PXSP1414BLK	PXSP1514BLK	PXSP1614BLK
				PXSP1014BLU	PXSP1114BLU	PXSP1214BLU	PXSP1314BLU	PXSP1414BLU	PXSP1514BLU	PXSP1614BLU
				PXSP1014PUR	PXSP1114PUR	PXSP1214PUR	PXSP1314PUR	PXSP1414PUR	PXSP1514PUR	PXSP1614PUR
	15"					PXSP1215BLK	PXSP1315BLK	PXSP1415BLK	PXSP1515BLK	PXSP1615BLK
						PXSP1215BLU	PXSP1315BLU	PXSP1415BLU	PXSP1515BLU	PXSP1615BLU
						PXSP1215PUR	PXSP1315PUR	PXSP1415PUR	PXSP1515PUR	PXSP1615PUR
	16"					PXSP1216BLK	PXSP1316BLK	PXSP1416BLK	PXSP1516BLK	PXSP1616BLK
						PXSP1216BLU	PXSP1316BLU	PXSP1416BLU	PXSP1516BLU	PXSP1616BLU
						PXSP1216PUR	PXSP1316PUR	PXSP1416PUR	PXSP1516PUR	PXSP1616PUR
	17"						PXSP1317BLK	PXSP1417BLK	PXSP1517BLK	PXSP1617BLK
							PXSP1317BLU	PXSP1417BLU	PXSP1517BLU	PXSP1617BLU
							PXSP1317PUR	PXSP1417PUR	PXSP1517PUR	PXSP1617PUR
	18"						PXSP1318BLK	PXSP1418BLK	PXSP1518BLK	PXSP1618BLK
							PXSP1318BLU	PXSP1418BLU	PXSP1518BLU	PXSP1618BLU
							PXSP1318PUR	PXSP1418PUR	PXSP1518PUR	PXSP1618PUR

Accessories

Extra Cover

Extra Cover Black	\$169
Extra Cover Blue	\$169
Extra Cover Purple	\$169

Solid Seat Insert

Solid Seat Insert	\$87
-------------------	------



Phone (800) 981-1540 | Fax (715) 254-0996
 sales@kimobility.com | www.kimobility.com



Star StarLock Cushions

Star StarLock Cushion (3" Tall Cells)

		Width									
		13.5"		15.5"		17.25"		19.25"		21"	
		Cushion w/ Std	Extra Incontinent Cover	Cushion w/ Std	Extra Incontinent Cover	Cushion w/ Std	Extra Incontinent Cover	Cushion w/ Std	Extra Incontinent Cover	Cushion w/ Std	Extra Incontinent Cover
	Retail	\$910	\$135	\$910	\$135	\$910	\$135	\$910	\$135	\$1065	\$135
Depth	13.5"										
	15.5"										
	17.25"										
	19.25"										
	21"										

Star StarLock Cushion (4" Tall Cells)

		Width									
		13.5"		15.5"		17.25"		19.25"		21"	
		Cushion w/ Std	Extra Incontinent Cover	Cushion w/ Std	Extra Incontinent Cover	Cushion w/ Std	Extra Incontinent Cover	Cushion w/ Std	Extra Incontinent Cover	Cushion w/ Std	Extra Incontinent Cover
	Retail	\$910	\$135	\$910	\$135	\$910	\$135	\$910	\$135	\$1065	\$135
Depth	13.5"										
	15.5"										
	17.25"										
	19.25"										
	21"										

Star StarLock Cushion (5" Tall Cells)

		Width									
		14"		16"		18"		20"		22"	
		Cushion w/ Std	Extra Incontinent Cover	Cushion w/ Std	Extra Incontinent Cover	Cushion w/ Std	Extra Incontinent Cover	Cushion w/ Std	Extra Incontinent Cover	Cushion w/ Std	Extra Incontinent Cover
	Retail	\$910	\$135	\$910	\$135	\$910	\$135	\$910	\$135	\$1065	\$135
Depth	14"										
	16"										
	18"										
	20"										
	22"										

StarLock Extra Standard Covers

3 Inch Extra Standard Cover	\$120
4 Inch Extra Standard Cover	\$120
5 Inch Extra Standard Cover	\$120



Phone (800) 981-1540 | Fax (715) 254-0996
 sales@kimobility.com | www.kimobility.com



Star Stabil-Air Cushions

Star Stabil-Air Cushion (4" Tall Cells)

		Width									
		13.5"		15.5"		17.25"		19.25"		21"	
		Cushion w/ Covers	Extra Incontinent Cover	Cushion w/ Covers	Extra Incontinent Cover	Cushion w/ Covers	Extra Incontinent Cover	Cushion w/ Covers	Extra Incontinent Cover	Cushion w/ Covers	Extra Incontinent Cover
	Retail	\$780	\$135	\$780	\$135	\$780	\$135	\$780	\$135	\$780	\$135
Depth	13.5"										
	15.5"										
	17.25"										
	19.25"										
	21"										

Stabil-Air Extra Standard Covers

4 Inch Extra Standard Cover

\$120

Star Standard Air Cushions

Star Standard Air Cushion (4" Tall Cells)

		Width									
		13.5"		15.5"		17.25"		19.25"		21"	
		Cushion w/ Std	Extra Incontinent Cover	Cushion w/ Std	Extra Incontinent Cover	Cushion w/ Std	Extra Incontinent Cover	Cushion w/ Std	Extra Incontinent Cover	Cushion w/ Std	Extra Incontinent Cover
	Retail	\$780	\$135	\$780	\$135	\$780	\$135	\$780	\$135	\$935	\$135
Depth	13.5"										
	15.5"										
	17.25"										
	19.25"										
	21"										

Star Standard Air Cushions Dual Valve

Star Standard Air Cushion Dual Valve (4" Tall Cells)

		Width									
		13.5"		15.5"		17.25"		19.25"		21"	
		Cushion w/ Std	Extra Incontinent Cover	Cushion w/ Std	Extra Incontinent Cover	Cushion w/ Std	Extra Incontinent Cover	Cushion w/ Std	Extra Incontinent Cover	Cushion w/ Std	Extra Incontinent Cover
	Retail	\$780	\$135	\$780	\$135	\$780	\$135	\$780	\$135	\$935	\$135
Depth	13.5"										
	15.5"										
	17.25"										
	19.25"										
	21"										

Standard Air Extra Standard Covers

2 Inch Extra Standard Cover

\$120

3 Inch Extra Standard Cover

\$120

4 Inch Extra Standard Cover

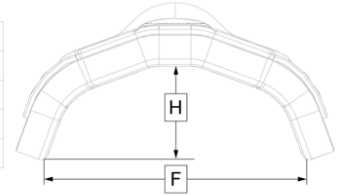
\$120

Axiom for Kids Back Width (all models)	Fits back Frame Widths
10" (25.5 cm)	9" - 11" (23 cm - 28 cm)
12" (30.5 cm)	11" - 13" (28 cm - 33 cm)
14" (35.5 cm)	13" - 15" (33 cm - 38 cm)
16" (40.5 cm)	15" - 17" (38 cm - 43 cm)



Axiom for Kids PL - Posterior Lateral Back

Back Width	10" (25.5 cm)	12" (30.5 cm)	14" (35.5 cm)	16" (40.5 cm)
Fits Back Frame Widths:	9"-11" (23 cm - 28 cm)	11"-13" (28 cm - 33 cm)	13"-15" (33 cm - 38 cm)	15"-17" (38 cm - 43 cm)
Actual Back Width (F):	10" (25.5 cm)	12" (30.5 cm)	14" (35.5 cm)	16" (40.5 cm)
Fits Trunk Widths (F):	10" (25.5 cm)	12" (30.5 cm)	14" (35.5 cm)	16" (40.5 cm)
Contour Depth (H):	3" (7.5 cm)	3" (7.5 cm)	3" (7.5 cm)	3" (7.5 cm)



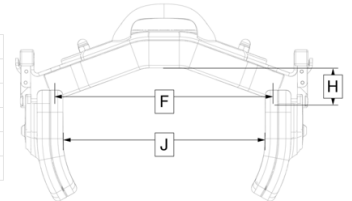
Back

Includes Lumbar Pad. Weight capacity 165 lbs. (75 kg). Includes Axiom DEX for Kids Hardware.

		Wheelchair Frame Width			
		10	12	14	16
Retail		\$690			
Axiom Back Height	10	PXPL1010			
	12	PXPL1012	PXPL1212	PXPL1412	
	14	PXPL1014	PXPL1214	PXPL1414	PXPL1614
	16		PXPL1216	PXPL1416	PXPL1616
	18				PXPL1618

Axiom for Kids AL - Posterior Back for Adjustable Laterals

Back Width	10" (25.5 cm)	12" (30.5 cm)	14" (35.5 cm)	16" (40.5 cm)
Fits Back Frame Widths:	9"-11" (23 cm - 28 cm)	11"-13" (28 cm - 33 cm)	13"-15" (33 cm - 38 cm)	15"-17" (38 cm - 43 cm)
Actual Back Width (F):	8" (20cm)	10" (25.5 cm)	12" (30.5 cm)	14" (35.5 cm)
Component Lateral Width Range (J)*: <i>(*-1" with included spacers)</i>	8" - 11" (20 cm - 28 cm)	10" - 13" (25.5 cm - 33 cm)	12" - 15" (30.5 cm - 38 cm)	14" - 17" (35.5 cm - 43 cm)
Contour Depth (H):	1.25" (3 cm)	1.25" (3 cm)	1.25" (3 cm)	1.25" (3 cm)



Back

Weight capacity 165 lbs. (75 kg). Includes Axiom DEX for Kids Hardware.

		Wheelchair Frame Width			
		10"	12"	14"	16"
Axiom Back Height	Retail	\$690			
	10"	PXAL1010			
	12"	PXAL1012	PXAL1212	PXAL1412	
	14"	PXAL1014	PXAL1214	PXAL1414	PXAL1614
	16"		PXAL1216	PXAL1416	PXAL1616
	18"				PXAL1618

Axiom for Kids - Adjustable Laterals Trunk Supports (for PXAL Back)

Not available for Posterior Back for Contoured Adjustable Laterals (PXALCL)

Description	Item Code	Retail
3 x 4 Lateral Trunk Pads, Flat with Fixed Mounting Hardware (Pair)	PLF3x4PP	\$575
4 x 5 Lateral Trunk Pads, Flat with Fixed Mounting Hardware (Pair)	PLF4x5PP	\$575
3 x 4 Lateral Trunk Pads, Flat with Swing Away Mounting Hardware (Pair)	PLTAS3x4PP	\$850
4 x 5 Lateral Trunk Pads, Flat with Swing Away Mounting Hardware (Pair)	PLTAS4x5PP	\$850
3 x 4 Lateral Trunk Pads, Curved with Swing Away Mounting Hardware (Pair)	PLTASC3x4PP	\$850
4 x 5 Lateral Trunk Pads, Curved with Swing Away Mounting Hardware (Pair)	PLTASC4x5PP	\$850

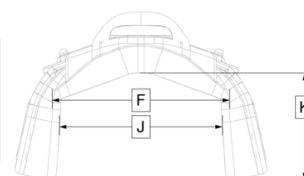
Axiom for Kids - Adjustable Lateral Pelvic Supports (for PXAL Back)

Not available for Posterior Back for Contoured Adjustable Laterals (PXALCL)

Description	Item Code	Retail
3 x 4 Lateral Pelvic Pads with Fixed Mounting Hardware (Pair)	PLPF3x4PP	\$575
4 x 5 Lateral Pelvic Pads with Fixed Mounting Hardware (Pair)	PLPF4x5PP	\$575
3 x 4 Lateral Pelvic Pads with Swing Away Mounting Hardware (Pair)	PLASP3x4PP	\$850
4 x 5 Lateral Pelvic Pads with Swing Away Mounting Hardware (Pair)	PLASP4x5PP	\$850

Axiom for Kids ALCL - Posterior Back for Contoured Adjustable Laterals

Back Width	10" (25.5 cm)	12" (30.5 cm)	14" (35.5 cm)	16" (40.5 cm)
Fits Back Frame Widths:	9"-11" (23 cm - 28 cm)	11"-13" (28 cm - 33 cm)	13"-15" (33 cm - 38 cm)	15"-17" (38 cm - 43 cm)
Actual Back Width (F):	8" - 11" (20 cm - 28 cm)	10" - 13" (25.5 cm - 33 cm)	12" - 15" (30.5 cm - 38 cm)	14" - 17" (35.5 cm - 43 cm)
Contoured Lateral Width Range (J):	8" - 11" (20 cm - 28 cm)	10" - 13" (25.5 cm - 33 cm)	12" - 15" (30.5 cm - 38 cm)	14" - 17" (35.5 cm - 43 cm)
Contour Depth (K):	5" - 5.5" (12.5 cm - 14 cm)	5" - 5.5" (12.5 cm - 14 cm)	5" - 5.5" (12.5 cm - 14 cm)	5" - 5.5" (12.5 cm - 14 cm)



Back

Requires Contoured Adjustable Lateral Trunk Support selection below. Weight capacity 165 lbs. (75 kg). Includes Axiom DEX for Kids Hardware.

		Wheelchair Frame Width			
		10"	12"	14"	16"
Axiom Back Height	Retail	\$790			
	10"	PXAL1010CL			
	12"	PXAL1012CL	PXAL1212CL	PXAL1412CL	
	14"	PXAL1014CL	PXAL1214CL	PXAL1414CL	PXAL1614CL
	16"		PXAL1216CL	PXAL1416CL	PXAL1616CL
	18"				PXAL1618CL

Axiom for Kids - Contoured Adjustable Lateral Trunk Supports (for PXALCL Back)

Description	Item Code	Retail
3" Contoured Lateral Wings with Fixed Mounting Hardware (Pair)	PCL3	\$650
4" Contoured Lateral Wings with Fixed Mounting Hardware (Pair)	PCL4	\$650

4" Contoured Lateral Wings are not available on 10" or 12" Back Heights



Phone (800) 981-1540 | Fax (715) 254-0996
 sales@kimobility.com | www.kimobility.com



Accessories

Axiom for Kids Back Accessories & Modifications	
Lumbar Pad	\$71
Privacy Flap	\$73
<i>Privacy Flap not available for 10" wide backs</i>	
Axiom DEX for Kids Hardware Extension	\$136
<i>Hardware extension adds an additional 2" of anterior depth adjustment</i>	
Axiom for Kids Adjustable Shoulder Guides	\$136

Description	Standard Straight Removable Adjustable Hardware		Multi-Axis Removable Adjustable Hardware		Posalinc Removable Adjustable Hardware		Posalinc Flip-Back Adjustable Hardware	
	Item Code	Retail	Item Code	Retail	Item Code	Retail	Item Code	Retail
Comfort Soft Headrest 8"	CS08SS	\$496	CS08MA	\$527	CS08PL	\$741	CS08PLF	\$816
Comfort Soft Headrest 10"	CS10SS	\$496	CS10MA	\$527	CS10PL	\$741	CS10PLF	\$816
Comfort Soft Headrest 14"	CS14SS	\$496	CS14MA	\$527	CS14PL	\$741	CS14PLF	\$816
Contour Positioning Pad, 8" X 6.25"	CP08SS	\$496	CP08MA	\$527	CP08PL	\$741	CP08PLF	\$816
Contour Positioning Pad, 9" X 6.5"	CP09SS	\$496	CP09MA	\$527	CP09PL	\$741	CP09PLF	\$816
Contour Positioning Pad, 10" X 7.5"	CP10SS	\$496	CP10MA	\$527	CP10PL	\$741	CP10PLF	\$816
Tri-soft Headrest 10"	TS10SS	\$496	TS10MA	\$527	TS10PL	\$741	TS10PLF	\$816
Tri-soft Headrest 14"	TS14SS	\$496	TS14MA	\$527	TS14PL	\$741	TS14PLF	\$816

Headrest Hardware		
<i>Not required with Axiom Headrests</i>		
Description	Item Code	Retail
Universal Headrest Mounting Plate	UMP	\$75

Anterior Trunk Supports		
Description	Item Code	Retail
Dynaform Chest Support: 2-Piece with Hook&Loop, 3" High Pad, Small	14941	\$179
Dynaform Chest Support: 2-Piece with Hook&Loop, 4" High Pad, Medium	14942	\$179
Dynaform Chest Support: 2-Piece with Hook&Loop, 5" High Pad, Large	14943	\$179
Dynaform Chest Support: 1-Piece with Buckle, 3" Height x 18" Width, Small	14924	\$158
Dynaform Chest Support: 1-Piece with Buckle, 4" Height x 20" Width, Medium	14927	\$158
Dynaform Chest Support: 1-Piece with Buckle, 4" Height x 22" Width, Large	14928	\$158
Dynaform Anterior Trunk Support: Standard, Dynamic, X-Small	14851	\$186
Dynaform Anterior Trunk Support: Standard, Dynamic, Small	14852	\$186
Dynaform Anterior Trunk Support: Standard, Dynamic, Medium	14853	\$186
Dynaform Anterior Trunk Support: Standard, Dynamic, Large	14854	\$186
Dynaform Anterior Trunk Support: Slim Cut, Dynamic, X-Small	14856	\$186
Dynaform Anterior Trunk Support: Slim Cut, Dynamic, Small	14857	\$186
Dynaform Anterior Trunk Support: Slim Cut, Dynamic, Medium	14858	\$186
Dynaform Anterior Trunk Support: Slim Cut, Dynamic, Large	14859	\$186
AirLogic Anterior Trunk Support: Standard, Structure, Small	14282	\$250
AirLogic Anterior Trunk Support: Standard, Structure, Medium	14283	\$250
AirLogic Anterior Trunk Support: Standard, Structure, Large	14284	\$250
AirLogic Anterior Trunk Support: Slim Cut, Dynamic, Small	14257	\$250
AirLogic Anterior Trunk Support: Slim Cut, Dynamic, Medium	14258	\$250



Phone (800) 981-1540 | Fax (715) 254-0996
sales@kimobility.com | www.kimobility.com



Gloss Finish

If no selection is made, standard Shadow Black will be used with no additional lead time

Opalescent Violet	N/C
Radiant Orange	N/C
Electric Green	N/C
Glacier Blue	N/C
Dark Pink	N/C
Light Pink	N/C
Rich Teal	N/C
Purple Plum	N/C
Black	N/C
Candy Blue	N/C
Candy Purple	N/C
Candy Red	N/C
Granny Smith	N/C
Metallic Orange	N/C
Yellow	N/C

Matte Finish

If no selection is made, standard Shadow Black will be used with no additional lead time

Bright Red	N/C
White	N/C
Dry Earth Tan	N/C
Tactical Green	N/C
Charcoal Gray	N/C
Iridescent Burgundy	N/C
Iridescent Navy	N/C
Royal Blue	N/C

Metallic Finish

If no selection is made, standard Shadow Black will be used with no additional lead time

Blue Steel	N/C
------------	-----