



# Zippie TS - AADL W247

October 2024

EIZ1A

Discount is 8%

Date: \_\_\_\_\_

Dealer Acct #: \_\_\_\_\_

Dealer: \_\_\_\_\_

Dealer Contact: \_\_\_\_\_

Dealer Address: \_\_\_\_\_

Dealer City: \_\_\_\_\_

Dealer Phone: \_\_\_\_\_

Confirm Via:  Fax  Email

Mark For: \_\_\_\_\_

**SUBMITTING FOR:**  Quote  Order

PO#: \_\_\_\_\_

Ship To: \_\_\_\_\_

Attention: \_\_\_\_\_

Address: \_\_\_\_\_

Address: \_\_\_\_\_

Ship To City: \_\_\_\_\_ Prov: \_\_\_\_\_ PC: \_\_\_\_\_

Ship To Phone: ( ) \_\_\_\_\_ Fax: ( ) \_\_\_\_\_

MEDm&bility

5711- 104 St, Edmonton AB. T6H 2K1  
P: 780-437-3300 • Fax: 780-430-9381  
AADL Vendor: 0000612578-001  
www.medmobility.ca • www.mmrehab.ca

✓ Option #	Definition	Price	✓ Option #	Definition	Price
------------	------------	-------	------------	------------	-------

## ZIPPIE TS

### 1. FRAME

All Zippie TS models grow in width and depth.

Base Models			
<input type="checkbox"/>	187WM63	Folding Growing Zippie TS <i>Without Seating</i> <i>Transit Included (includes True Fit)</i>	\$4,244
<input type="checkbox"/>	187WM65	Folding Growing Zippie TS <i>Without Seating</i> <i>Transit Optional (includes True Fit)</i>	\$4,244
<input type="checkbox"/>	187WM64	Rigid Growing Zippie TS <i>Without Seating</i> <i>Transit Included (includes True Fit)</i>	\$4,121
<input type="checkbox"/>	187WM66	Rigid Growing Zippie TS <i>Without Seating</i> <i>Transit Optional (includes True Fit)</i>	\$4,121
<input type="checkbox"/>	187F02	Additional Rigid Strut Tube	NC

### Transit System (For use when Transit Optional is selected)

*Tie Down Requires: Solid Seat and Solid Back or Growing Seat Pan and JAY Fit or Conventional Seat and Back or Growing Seat Pan and Solid Back or JAY Fit and/or Conventional Seat & Back*

<input type="checkbox"/>	187TO12	Transit Optional Seating <i>(Req. Selection of Seat &amp; Back)</i>	NC
<input type="checkbox"/>	187TO11	Transit Optional w/o Seating	NC
<input type="checkbox"/>	187TO20	Transit Omit	N/C

### Tilt Options

<input type="checkbox"/>	187TT12	Dual Trigger Cable Release	NC
<input type="checkbox"/>	187VZ01	Crisscross Cables <i>(cables are longer individually)</i>	NC
<input type="checkbox"/>	187VZ02	Non-crisscross	Std
<input type="checkbox"/>	187TT8	Cable Foot Release <i>(may limit folding width)</i>	NC

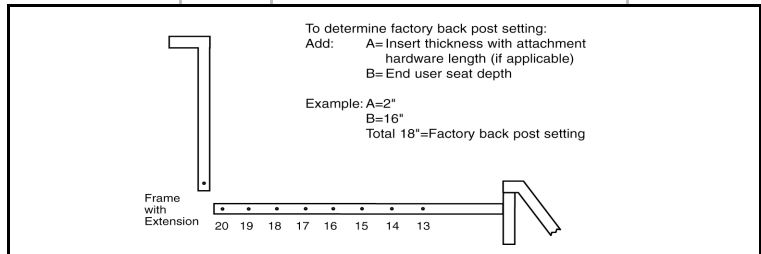
### 2. SIZE/SEATING

#### Frame Width

<input type="checkbox"/>	187W25	Small Cross Brace	NC
<input type="checkbox"/>	187S1	10"	NC
<input type="checkbox"/>	187S2	11"	NC
<input type="checkbox"/>	187S3	12"	NC
<input type="checkbox"/>	187W26	Medium Cross Brace	NC
<input type="checkbox"/>	187S3	12"	NC
<input type="checkbox"/>	187S4	13"	NC
<input type="checkbox"/>	187S5	14"	NC
<input type="checkbox"/>	187W27	Large Cross Brace	NC
<input type="checkbox"/>	187S5	14"	NC
<input type="checkbox"/>	187S6	15"	NC
<input type="checkbox"/>	187S7	16"	NC
<input type="checkbox"/>	187W28	X-Large Cross Brace	NC
<input type="checkbox"/>	187S7	16"	NC
<input type="checkbox"/>	187S8	17"	NC
<input type="checkbox"/>	187S9	18"	NC

#### Frame Depth and Back Post Location

<input type="checkbox"/>	187FD4	13" Frame Depth	NC
<input type="checkbox"/>	187FD5	14" Frame Depth	NC
<input type="checkbox"/>	187FD6	15" Frame Depth	NC
<input type="checkbox"/>	187FD7	16" Frame Depth	NC
<input type="checkbox"/>	187FD8	17" Frame Depth	NC
<input type="checkbox"/>	187FD9	18" Frame Depth	NC
<input type="checkbox"/>	187FD10	19" Frame Depth <i>(uses rear frame extension plug)</i>	NC
<input type="checkbox"/>	187FD36	20" Frame Depth <i>(uses rear frame extension plug)</i>	NC



**Figure 6.1 - Frame Depth Diagram**

Units are in inches.

**2. SIZE/SEATING CONT.**

Seats			
<input type="checkbox"/>	187ST55	Solid Seat <i>(Requires Solid Back, N/A w/ 10"-13" Wide x 19"-20" Frame Depth or 17"-18" Wide x 13"-17" Frame Depth)</i>	\$315
<input type="checkbox"/>	187ST14	Growing Seat Pan Depth <i>(Fig. 7.1)</i>	\$274
<input type="checkbox"/>	187ST5	Omit Seat	Std

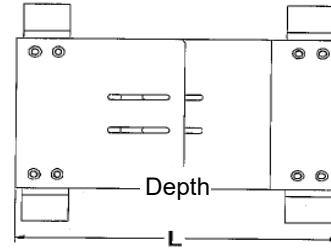
**JAY Cushions (Optional)**

To order any JAY cushions on-chair, please see the JAY price list. Cushion name or part number must be filled out with desired width and depth.

JAY Bundled Cushion			
<input type="checkbox"/>	187JC20	Name / Part #	Price List
		Width (in.)                      Depth (in.)	

**REFERENCE ONLY**

Seat Depth Pan Size	Depth Range	
	Minimum	Maximum
Medium 13"-14"	11-3/4"	16-1/4"
Long 15"-17"	13-3/4"	18-1/4"
X-Long 18"-20"	15-3/4"	20-1/4"



**Figure 7.1 - Frame Depth Growth Range Matrix**

**3. CASTERS**

**Caster Wheel**

*Some interference may occur when choosing 8" Caster w/ Z-Finity*

<input type="checkbox"/>	187CW30	3" Micro Light Up	\$72
<input type="checkbox"/>	187CW31	4" Micro Light Up	\$108
<input type="checkbox"/>	187CW51	5" Micro Light Up	\$108
<input type="checkbox"/>	187CW5	5" Low-Profile Polyurethane	STD
<input type="checkbox"/>	187CW7	5" x 1.5" Semi-Pneumatic	\$108
<input type="checkbox"/>	187CW33	6" Pneumatic	\$108
<input type="checkbox"/>	187CW34	6" Polyurethane	NC
<input type="checkbox"/>	187CW35	6" x 1.5" Semi-Pneumatic	\$108
<input type="checkbox"/>	187CW21	8" Pneumatic	\$144
<input type="checkbox"/>	187CW32	8" Polyurethane	NC
<input type="checkbox"/>	187CW39	8" x 1.5" Semi-Pneumatic	\$144
<input type="checkbox"/>	187CW36	8" x 2" Pneumatic	\$243
<input type="checkbox"/>	187CW37	8" x 2" Pneumatic w/ Airless Insert	\$387

**Caster Options**

<input type="checkbox"/>	187CS3	Caster Pin Locks <i>(N/A with 8" x 2" and 8" x 1.5" casters)</i>	\$150
--------------------------	--------	---	-------

**CASTER SIZE**

Rear Wheel Size	CASTER SIZE						
	3"	4"	5"	6"	8"x1"	8"x1.5"	8"x2"
12"	17.0"	16.5"	16.5"	17.0"	N/A	N/A	N/A
	17.5"	17.0"	17.0"	17.5"			
12" Low Poly	N/A	17.5"	17.5"	N/A	18.5"	18.0"	18.5"
	16.0"	16.0"	16.0"	16.5"	N/A	N/A	N/A
16"	15.5"	15.5"	15.5"	N/A	N/A	N/A	N/A
	18.0"	18.0"	18.0"	18.0"	18.5"	18.0"	18.5"
	18.5"	18.5"	18.5"	18.5"	19.0"	18.5"	N/A
20"	15.5"	15.5"	15.5"	N/A	18.5"	18.0"	18.5"
	16.0"	16.0"	16.0"				
	16.5"	16.5"	16.5"	16.5"			
	17.0"	17.0"	17.0"	17.0"			
	17.5"	17.5"	17.5"	17.5"			
22"	18.0"	18.0"	18.0"	18.0"	18.5"	18.5"	19.0"
	18.5"	18.5"	18.5"	18.5"	19.0"	19.0"	N/A
	N/A	19.0"	19.0"	19.0"	19.5"	N/A	N/A
	17.0"	N/A	N/A	N/A	N/A	N/A	N/A
	17.5"	17.5"	17.5"	17.5"			
24"	18.0"	18.0"	18.0"	18.0"	18.5"	18.5"	18.5"
	18.5"	18.5"	18.5"	18.5"	19.0"	19.0"	19.0"
	N/A	19.0"	19.0"	19.0"	19.0"	19.0"	19.0"
	N/A	N/A	19.5"	19.5"	19.5"	19.5"	20.0"
	N/A	N/A	N/A	20.0"	20.0"	20.0"	N/A

**Chart A - Seat to Floor Height Matrix**

Note: Rear seat-to-floor ht. may be up to 1.5" lower than front seat-to-floor ht.

#### 4. REAR WHEELS / SEAT HEIGHT

##### Rear Wheel Size

<input type="checkbox"/>	187RW13	12" Mag <i>(N/A with handrims)</i>	STD
<input type="checkbox"/>	187RW14	16" Mag <i>(N/A with handrims)</i>	NC
<input type="checkbox"/>	187RW3	20" Mag	NC
<input type="checkbox"/>	187RW8	22" Mag	NC
<input type="checkbox"/>	187RW1	24" Mag	NC
<input type="checkbox"/>	187RW90	20" Lite Spoke	\$315
<input type="checkbox"/>	187RW91	22" Lite Spoke	\$315
<input type="checkbox"/>	187RW54	24" Lite Spoke	\$315

##### Rear Wheel Tire

<input type="checkbox"/>	187RT1	Pneumatic	NC
<input type="checkbox"/>	187RT2	Pneumatic Airless Insert	\$243
<input type="checkbox"/>	187RT3	Full Polyurethane <i>(N/A w/ 12" and 16" rear wheels)</i>	NC
<input type="checkbox"/>	187RT4	Low Polyurethane <i>(Only available with 12" or 24" wheels )</i>	NC
<input type="checkbox"/>	187RT6	High Pressure Clincher <i>(Only available with 24" spoke wheels)</i>	\$103

##### Handrim

<input type="checkbox"/>	187HR1	Aluminum Anodized	NC
<input type="checkbox"/>	187HR4	Plastic Coated	\$144
<input type="checkbox"/>	187HR7	Omit <i>(N/A with wheel/axle credit)</i>	NC

##### Projections *(N/A on Plastic Coated)*

*\*Only available with 24" wheels & N/A with spoke guards.*

<input type="checkbox"/>	187HR8	8 Oblique	\$144
--------------------------	--------	-----------	-------

##### Axle

<input type="checkbox"/>	187AX26	One-Arm Drive Axle <i>(Only avail. w/ One-Arm Drive Option)</i>	STD
<input type="checkbox"/>	187AX1	Quick Release	NC
<input type="checkbox"/>	187AX11	Quad Quick Release <i>(N/A with Lite Spokes)</i>	\$179

##### Axle Plate

<input type="checkbox"/>	187AL18	12" Rear Wheel Axle Plate <i>(Only avail. w/ 12" or 16" rear wheels)</i>	STD
<input type="checkbox"/>	187AL34	Short Adjustable <i>(N/A with 12" rear wheels)</i>	NC
<input type="checkbox"/>	187AL35	Long Adjustable <i>(N/A with 12" rear wheels)</i>	NC
<input type="checkbox"/>	187AL17	One Arm Drive <i>(Avail. w/ 20", 22", 24" Mag Rear Wheels &amp; 13"-18" width)</i>	\$1,362
<input type="checkbox"/>	187OA2	<b>Standard Handrim</b>	NC
<input type="checkbox"/>	187HM1	Right	NC
<input type="checkbox"/>	187HM2	Left	NC
<input type="checkbox"/>	187OA1	<b>Small Handrim</b> <i>(N/A w/ 20" wheels)</i>	NC
<input type="checkbox"/>	187HM1	Right	NC
<input type="checkbox"/>	187HM2	Left	NC

#### 5. WHEEL LOCK / HUB LOCK

##### Wheel Lock

*Wheel Locks can be ordered in combination with Hub Lock option*

<input type="checkbox"/>	187WL1	High Mount Push	NC
<input type="checkbox"/>	187WL2	High Mount Pull	NC
<input type="checkbox"/>	187WL25	Foot Lock (may limit folding width)	NC
<input type="checkbox"/>	187WL10	Omit	NC

##### Hub Lock

*\*Only available with 12" or 16" wheels. Not avail. w/ One-Arm Drive.*

<input type="checkbox"/>	187LK01	12" Hub Lock	\$160
<input type="checkbox"/>	187LK02	16" Hub Lock	\$160

##### Extension Handle

<input type="checkbox"/>	187EH1	6" Pair	\$72
--------------------------	--------	---------	------

**6. FOOTRESTS**

**Hanger Mounted Footrest (Footplates Mount to Hanger Tubing)**

**Hanger Type**

<input type="checkbox"/>	187H140	70° Swing In/Out Front Mount	NC
<input type="checkbox"/>	187H142	80° Swing In/Out Front Mount	NC
<input type="checkbox"/>	187H158	90° Swing In/Out Front Mount	NC
<input type="checkbox"/>	187H9	70° HD Front Mount Lift-Off	NC
<input type="checkbox"/>	187H10	80° HD Front Mount Lift-Off	NC
<input type="checkbox"/>	187H11	90° HD Front Mount Lift-Off	NC
<input type="checkbox"/>	187H161	90° Elevating (N/A w/ 10"-11" Wide or Z-Finity)	\$334

**Extensions (may interfere with some seat heights & casters)**

<input type="checkbox"/>	187E23	2" (not mounted)	\$52
<input type="checkbox"/>	187E24	4" (not mounted)	\$52

**Footplate**

<input type="checkbox"/>	187F9	Kids Angle Adjustable (N/A w/ 17"-18" widths)	NC
<input type="checkbox"/>	187F8	Adult Angle Adj. (Available with 10"-18" widths)	\$173
<input type="checkbox"/>	187F62	Footboard (Available with 10"-16" widths)	\$227

**Ext. Tube Mounted Footrests (Footplates Mount to Ext. Tube)**

**Hanger Type**

<input type="checkbox"/>	187H145	60° Swing In/Out	NC
<input type="checkbox"/>	187H139	70° Swing In/Out	STD
<input type="checkbox"/>	187H141	80° Swing In/Out	STD
<input type="checkbox"/>	187H159	Articulating (N/A w/ 10"-13" composite footplates)	\$518
<input type="checkbox"/>	187H160	Elevating (N/A w/ composite or platform footplates, or <16" width)	\$334

**Extensions**

<input type="checkbox"/>	187E1	Short (11.5" - 14")	NC
<input type="checkbox"/>	187E2	Med (14" - 17") - (N/A w/ ELR)	NC
<input type="checkbox"/>	187E5	Long (17" - 19")	NC
<input type="checkbox"/>	187E16	High Mount	\$96

**Footplate**

<input type="checkbox"/>	187F1	Composite (N/A In 10", 11" or 12" width)	STD
<input type="checkbox"/>	187F3	Aluminum Angle Adjustable	\$173
<input type="checkbox"/>	187F4	Kids Angle Adjustable (N/A w/17"-18" width)	\$0
<input type="checkbox"/>	187F5	Aluminum (Only available with elevating leg rests 14"-18")	NC
<input type="checkbox"/>	187F48	Platform Flip-Up (Available on 60°, 70°, and 80° ext. mount hangers only)	\$227

**Articulating / Elevating Hanger Cover**

<input type="checkbox"/>	187DI47	Neoprene Cover	\$481
<input type="checkbox"/>	187DI48	Gel Pad Cover	\$556

**Z-Finity Hangers/Footrest System**

Some interference may exist in certain configurations.

<input type="checkbox"/>	187H162	Z-Finity Hanger	STD
--------------------------	---------	-----------------	-----

**Z-Finity Footrest Mount (Must Chose see Illustration in appendix)**

<input type="checkbox"/>	187DI22	Direct Hanger Mt/Fixed Frame - High	NC
<input type="checkbox"/>	187DI23	Direct Hanger Mt/Fixed Frame - Low	NC
<input type="checkbox"/>	187DI24	Extension Tube Mount	NC

**Z-Finity Footrest Pivot Arm**

(Must Choose, use matrix in appendix for leg length)

<input type="checkbox"/>	187DI20	Short 2"	NC
<input type="checkbox"/>	187DI21	Long 3-1/4"	NC

**Z-Finity Footplate**

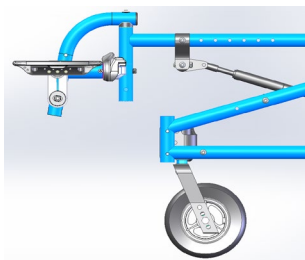
Some interference may exist in certain configurations.

<input type="checkbox"/>	187F320	Multi Angle Adjustable - Pair (N/A w/ 8"-9" widths)	\$243
<input type="checkbox"/>	187F321	Angle Adjustable Platform Footboard	\$228
<input type="checkbox"/>	187F6	Omit Footplate	NC

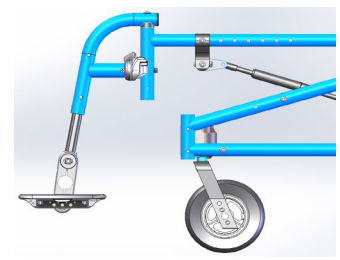
**Z-Finity Extension Tube Length (When Choosing Ext. Tube Mount)**

<input type="checkbox"/>	187E62	Hemi	NC
<input type="checkbox"/>	187E1	Short	NC
<input type="checkbox"/>	187E2	Medium	NC
<input type="checkbox"/>	187E5	Long	NC

Direct Hanger Mount



Extension Tube Mount



**Direct Hanger Mounted**

Footrest Adaptor	Hanger Mounting Position	Min	Max
Short	High Mount	-1.3"	3.0"
	Low Mount	2.0"	6.3"
Long	High Mount	-2.5"	4.3"
	Low Mount	0.8"	7.5"

**Extension Tube Mounted**

Footrest Adaptor	Extension Tube Length	Min	Max
Short	Hemi Short	4.3"	12.0"
	Short	5.3"	13.0"
	Medium	7.0"	15.0"
	Long	9.0"	17.0"
Long	Hemi Short	3.0"	13.3"
	Short	4.5"	14.3"
	Medium	6.0"	16.3"
	Long	8.0"	18.3"

**Footrest Hanger Options**

<input type="checkbox"/>	187IG2	Neoprene Covers (Avail. On 60° / 70°/80° ext. mount hangers only and Z-Finity except in highest mounted position).	\$60
<input type="checkbox"/>	187HL1	Heel Loops (N/A w/ Z-Finity widths below 14")	NC
<input type="checkbox"/>	187A110	Toe Loop (Only avail. w/ adult angle adjust. Footplates N/A w/ Z-Finity)	\$42
<input type="checkbox"/>	187HL5	Leg Strap	NC
<input type="checkbox"/>	187A55	Extra Leg Strap	\$60
<input type="checkbox"/>	187H32	Omit Hanger	\$0
<input type="checkbox"/>	187F7	Omit Footplate & Ext. Tube	\$0
<input type="checkbox"/>	187HL4	Omit Heel Loop	NC
<input type="checkbox"/>	187HL6	Omit Single Leg Strap	NC

**7. BACKREST / SEATING**

**Backs**

*(Solid Back Depth = 2" Less Than Frame Depth)*

<input type="checkbox"/>	187PU4	Short Solid Back 12" <i>(Requires solid seat)</i>	NC
<input type="checkbox"/>	187PU5	Med. Solid Back 14"	NC
<input type="checkbox"/>	187PU6	Tall Solid Back 16"	NC
<input type="checkbox"/>	187PU9	Omit Backrest	NC

**JAY Backs (Optional)**

*Ordering JAY backs on-chair, See the JAY Price List. Requires Part #*

<input type="checkbox"/>	187JB02	JAY Bundled Backrest	Price List
		Backrest Name or Part #	
		Width (in.):                      Height (in.):	

**Stroller Handle Back Posts - Backrests**

**Fixed Height**

<input type="checkbox"/>	187BP9	Low (19" Height)	NC
<input type="checkbox"/>	187BP10	Medium (22" Height)	NC
<input type="checkbox"/>	187BP11	Tall (25" Height)	NC
<input type="checkbox"/>	187BP13	Removable Extension	\$173
<input type="checkbox"/>	187RG1	Folding Adjustable Rigidizer	\$204

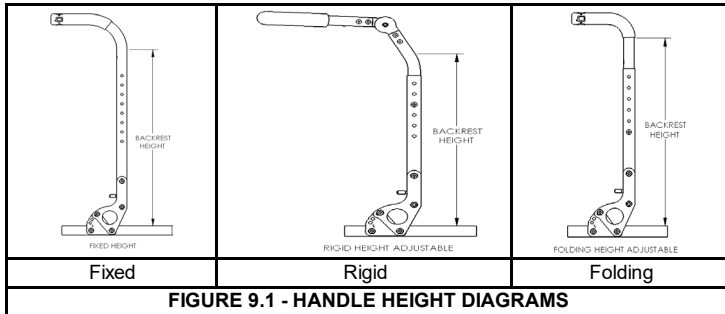
**Height Adjustable**

*Rigid Frame w/ Angle Adjust Push Handle*

<input type="checkbox"/>	187B202	<b>Std. (16"-22" Height)</b>	NC
<input type="checkbox"/>	187PH8	Std. Angle Adj. Push Handle Length	NC
<input type="checkbox"/>	187PH9	Long Angle Adj. Push Handle Length	NC
<input type="checkbox"/>	187B203	<b>Tall (19"-25" Height)</b>	NC
<input type="checkbox"/>	187PH8	Std. Angle Adj. Push Handle Length	NC
<input type="checkbox"/>	187PH9	Long Angle Adj. Push Handle Length	NC

*Folding Frame with Push Handle*

<input type="checkbox"/>	187B204	<b>Std. (17"-23" Height)</b>	NC
<input type="checkbox"/>	187BP47	Swing Away Handle <i>(N/A with dual triggers)</i>	\$84
<input type="checkbox"/>	187B205	<b>Tall (20"-26" Height)</b>	NC
<input type="checkbox"/>	187BP47	Swing Away Handle <i>(N/A with dual triggers)</i>	\$84



**FIGURE 9.1 - HANDLE HEIGHT DIAGRAMS**

**8. ARMRESTS / SIDEGUARDS**

**Armrest and Armpad - Height Adjustable**

<input type="checkbox"/>	187AA12	T-Post Regular w/ Foam	NC
<input type="checkbox"/>	187AA13	T-Post Tall w/ Foam	NC
<input type="checkbox"/>	187AA3	Flip-Up	NC
<input type="checkbox"/>	187AA1	<b>Adjustable Locking Flip-Up</b>	\$334
<input type="checkbox"/>	187AA7	<b>Length Adjust. Locking Flip-Up</b>	\$334
<input type="checkbox"/>	187AM23	Desk Length - 10"	NC
<input type="checkbox"/>	187AM24	Full Length 14"	NC
<input type="checkbox"/>	187AM9	Foam Short (N/A w/ T-Post)	NC
<input type="checkbox"/>	187AM10	Foam Long (N/A w/ T-Post)	NC

**Armrest Receiver for Height Adjustable Armrest**

<input type="checkbox"/>	187AR17	Low (N/A w/ 20", 22" & 24" wheels)	NC
<input type="checkbox"/>	187AR18	Standard	NC

**Side Guard**

*(N/A with height adjustable armrests or T-Post armrests)*

<input type="checkbox"/>	187SG33	Plastic Std	\$185
<input type="checkbox"/>	187SG29	Plastic Low	\$185

**Armrest - Height Adjustable**

<input type="checkbox"/>	187AA11	<b>Single-Post Height Adj. Std.</b>	\$334
<input type="checkbox"/>	187AM23	Desk Classic	NC
<input type="checkbox"/>	187AM21	Desk Contour	NC
<input type="checkbox"/>	187AM24	Full Classic	NC
<input type="checkbox"/>	187AM22	Full Contour	NC
<input type="checkbox"/>	187AA29	<b>Single-Post Height Adj. Low</b>	\$334
<input type="checkbox"/>	187AM23	Desk Classic	NC
<input type="checkbox"/>	187AM21	Desk Contour	NC
<input type="checkbox"/>	187AM24	Full Classic	NC
<input type="checkbox"/>	187AM22	Full Contour	NC

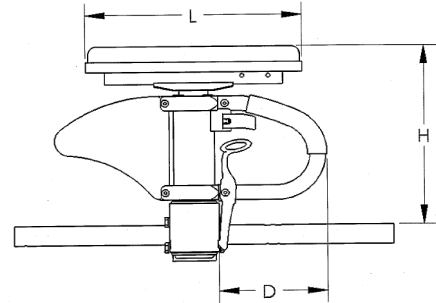
Armrest Size	Transfer Tube Length (D)	Receiver	CLASSIC PAD		
			Height Range (H)	Pad Length (L)	
				Desk	Full
STD	8"	STD	10-3/4" to 15-3/4"	10-1/4"	14"
		LOW	8-3/4" to 13-3/4"		
LOW	5-1/4"	STD	9" to 13"	10-1/4"	14"
		LOW	7-1/4" to 11-1/4"		

Armrest Size	Transfer Tube Length (D)	Receiver	CONTOUR PAD		
			Height Range (H)	Pad Length (L)	
				Desk	Full
STD	8"	STD	10" to 15"	10-1/2"	14-1/4"
		LOW	8-1/4" to 12-1/2"		
LOW	5-1/4"	STD	8-1/2" to 12-1/2"	10-1/2"	14-1/4"
		LOW	6-3/4" to 10-3/4"		

**Armrest Matrix for Single-Post**



### 9. KEY OPTIONS

#### Back Pack (Kids Backpack included)

<input type="checkbox"/>	187A1	Utility Backpack - Black	\$110
<input type="checkbox"/>	187A2	Additional Kids Black Backpack	\$103

#### Seat Pouch

<input type="checkbox"/>	187A8	Black	\$82
--------------------------	-------	-------	------

#### Miscellaneous

<input type="checkbox"/>	187A83	Tool Kit	\$42
--------------------------	--------	----------	------

#### Spoke Guard

(N/A with 12" and 16" rear wheels & Projections Handrims)

<input type="checkbox"/>	187A23	Black	\$155
<input type="checkbox"/>	187A24	Clear Zippie	\$155

#### Anti Tips

<input type="checkbox"/>	187AO1	Front Anti-Tip (N/A with caster pin locks) (N/A with transit option)	\$155
<input type="checkbox"/>	187AT1	Rear Anti-Tip	\$119

#### Positioning Belt (w/ clamps)

<input type="checkbox"/>	187A112	1" Dual Pull Side Squeeze Padded	\$130
<input type="checkbox"/>	187A117	Belt 2" Aircraft Buckle	\$137
<input type="checkbox"/>	187A118	Belt 2" Aircraft Buckle Padded	\$201
<input type="checkbox"/>	187A141	Belt 1.5" Auto Buckle w/ clamps	\$96
<input type="checkbox"/>	187A814	1" Comfort Fit APB5116	\$144

#### Canopy (SunShade)

(Need 2" back post clearance to mount canopy hardware, may require next height based on seating; please note some interference may occur with some headrest configurations)

<input type="checkbox"/>	187A06	Canopy (Sunshade) 10"-14" Width	\$422
<input type="checkbox"/>	187A07	Canopy (Sunshade) 15"-20" Width	\$422

#### Upper Extremity Support Tray

When ordering a tray with full armrest or desk armrest pads, add 1" to seat width to determine best tray size.

<input type="checkbox"/>	187A29	X-Sm (Suggested 10"-12" Width)	\$375
<input type="checkbox"/>	187A30	Sm (Suggested 13"-14" Width)	\$375
<input type="checkbox"/>	187A31	Med (Suggested 15"-17" Width)	\$375
<input type="checkbox"/>	187A32	Lrg (Suggested 18"-20" Width)	\$375

### 10. FRAME COLOR

#### Standard Colors

<input type="checkbox"/>	187C211	Celestial Sapphire	NC
<input type="checkbox"/>	187C212	Desert Sage	NC
<input type="checkbox"/>	187C213	Desert Tan	NC
<input type="checkbox"/>	187C214	Gloss Black	NC
<input type="checkbox"/>	187C215	Matte Black	NC
<input type="checkbox"/>	187C216	Metallic Shadow	NC
<input type="checkbox"/>	187C217	Midnight Blue	NC
<input type="checkbox"/>	187C218	Mystic Purple	NC
<input type="checkbox"/>	187C219	Petal Pink	NC
<input type="checkbox"/>	187C220	Pink Power	NC
<input type="checkbox"/>	187C221	Red Pepper	NC
<input type="checkbox"/>	187C222	Royal Blue	NC
<input type="checkbox"/>	187C223	Salute Green	NC
<input type="checkbox"/>	187C224	Scarlet Noir	NC
<input type="checkbox"/>	187C225	Silver Ore	NC
<input type="checkbox"/>	187C226	Solar Orange	NC
<input type="checkbox"/>	187C227	Starlight White	NC
<input type="checkbox"/>	187C228	Storm Gray	NC
<input type="checkbox"/>	187C229	Turbo Green	NC
<input type="checkbox"/>	187C230	Velocity Yellow	NC

#### Personalized Colors

<input type="checkbox"/>	187C43	Mossy Oak Camouflage	\$363
<input type="checkbox"/>	187C42	Stars and Stripes	\$363
<input type="checkbox"/>	187C108	Zebra (Choose base color: N/A w/ Gloss Black and Matte Black).	\$363

#### Additional Options Through Built-4-Me

To inquire about any unique personalization for Zippie products, contact:  
Phone: (800) 263-3390, Email: cscanada@sunmed.com



#### Commonly Requested Options Include:

- ✓ Dynamic Back
- ✓ Reclining Backrest
- ✓ Personalized Anodizing
- ✓ Personalized Paint
- ✓ O2 Holder with Transit
- ✓ IV Pole with Transit



1000 Creditstone Road, Unit 2  
Concord, ON., Canada, L4K 4P8

Customer Service: 800-263-3390 Email: cscanada@sunmed.com  
Web: www.sunrisemedical.ca ©2024 MK-100014 REV 5