



AADL EXPRESS ORDER FORM



**AADL MSRP
PRICE ONLY**



Discount is 10%

Pediatric Manual Wheelchair

AADL# W116
Effective July 1, 2022



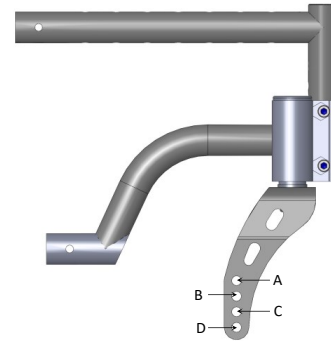
Client Information			
Date:	P.O. #:		
<p>5711- Calgary Trail NW Edmonton AB T6H 2K1 P:780-437-3300 • F:780-430-9381 AADL Vendor # 0000612578-001</p>		First Name:	
		Fax:	
<input type="checkbox"/> Price Specification <input type="checkbox"/> Technical Specification	➔	Order confirmation by email	Yes <input type="checkbox"/> No <input type="checkbox"/>
		Subscribe to Physipro™ newsletter	Yes <input type="checkbox"/> No <input type="checkbox"/>
		Factory installation of postural aids	Yes <input type="checkbox"/> No <input type="checkbox"/>

XL5 PEDIATRIC WHEELCHAIR						
PRODUCT	DESCRIPTION		CODE	PRICE	CHOICE	
XL5 Pediatric	Pediatric folding manual wheelchair with single crossbar. Seat width: 11", 12", 13", 14", 15" or 16". Seat depth: 12", 14" or 16". Maximum load capacity : 265 lb			XL5-01	\$2395	<input type="checkbox"/>
➔	Please select the desired frame color.		Glossy Black <input type="checkbox"/>	Secure Blue	<input type="checkbox"/>	
SEAT STRUCTURE						
Seat Width	11" <input type="checkbox"/> 12" <input type="checkbox"/> 13" <input type="checkbox"/> 14" <input type="checkbox"/> 15" <input type="checkbox"/> 16" <input type="checkbox"/>		XL-	N/C	←	
Seat Depth	12" <input type="checkbox"/> 14" <input type="checkbox"/> 16" <input type="checkbox"/>			N/C		
SEAT BASE OPTIONS						
Seat Base Options	Tension adjustable nylon sling seat (with two 2" Velcro "Hook" bands)		XL03	N/C	<input type="checkbox"/>	
	Urethane and memory foam cushion - Thickness of 2", Flat		S3350-...	N/C	<input type="checkbox"/>	
CASTER WHEELS						
Note	Please ensure the selected caster wheel corresponds with the selection made in the front seat-to-floor height tables.					
Caster Wheels	Polyurethane	5" x 1 ½" <input type="checkbox"/> 6" x 1 ½" <input type="checkbox"/> 8" x 1 ½" <input type="checkbox"/>		WHUN-	N/C	←
		4" x 1" <input type="checkbox"/>			\$100 Pair	
PROPULSION WHEELS						
Note	Please ensure the selected propulsion wheel diameter corresponds with the selection made in the rear seat-to-floor height tables.					
Rims	Spoke Wheel		NX52SW	N/C	<input type="checkbox"/>	
Tires	Diameter	20" <input type="checkbox"/> 22" <input type="checkbox"/>		-	←	
Handrims	Aluminium		NX44	N/C	<input type="checkbox"/>	
	Plastic Coated		NX45	\$130 Pair	<input type="checkbox"/>	
Axles	Threaded Axles		XL47	N/C	<input type="checkbox"/>	
	Quick Release Axles		XL48	\$105 Pair	<input type="checkbox"/>	

FRONT SEAT-TO-FLOOR HEIGHT TABLES (according to the type of wheelchair frame and forks)

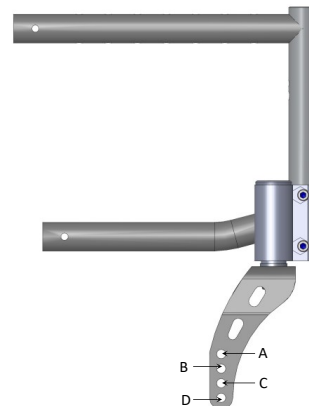
HEMI FRAME - SHORT FORK

POSITION	CASTER WHEEL DIAMETER			
	4"	5"	6"	8"
A				
B		13 □	13 ½ □	
C	13 □	13 ½ □	14 □	
D	13 ½ □	14 □	14 ½ □	



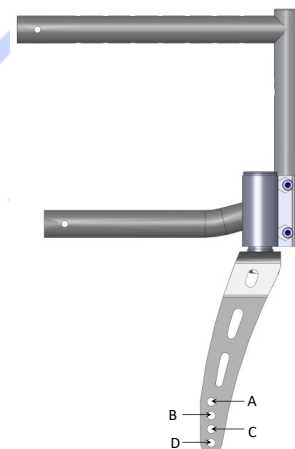
STANDARD FRAME - SHORT FORK

POSITION	CASTER WHEEL DIAMETER			
	4"	5"	6"	8"
A	15 □	15 ½ □		
B	15 ½ □	16 □	16 ½ □	
C	16 □	16 ½ □	17 □	
D	16 ½ □	17 □	17 ½ □	18 ½ □



STANDARD FRAME - LONG FORK

POSITION	CASTER WHEEL DIAMETER			
	4"	5"	6"	8"
A	17 ½ □	18 □	18 ½ □	19 ½ □
B	18 □	18 ½ □	19 □	20 □
C	18 ½ □	19 □	19 ½ □	20 ½ □
D	19 □	19 ½ □	20 □	21 □



REAR SEAT-TO-FLOOR HEIGHT TABLE

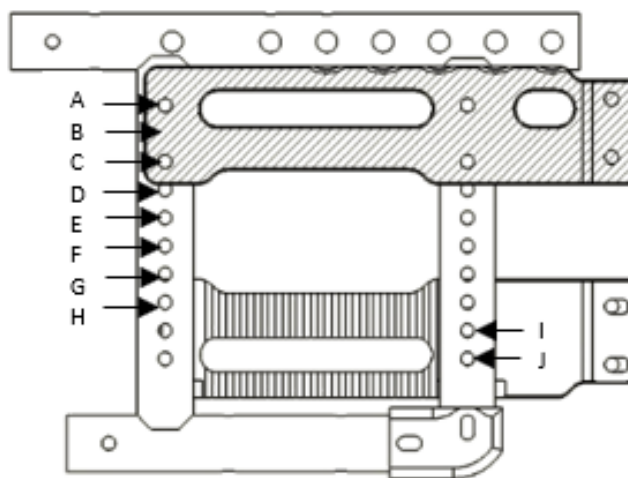
The XL5 Pediatric offers 10 seat-to-floor height adjustment positions by increments of ½".

The following tables indicate the position needed to obtain the desired seat-to-floor height, according to the chosen propulsion wheel diameter.

Note

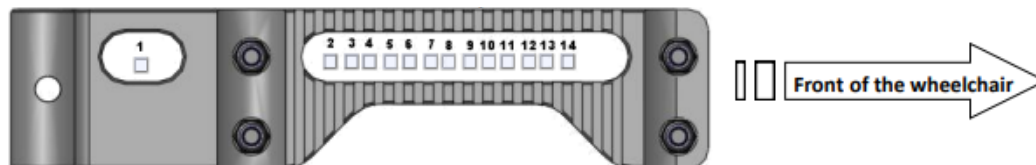
These measurements are for reference only. They may vary depending on the propulsion wheel diameter, seat angle and position of the axle mounting plate.

POSITION	PROPULSION WHEEL DIAMETER	
	20"	22"
A	13" <input type="checkbox"/>	14" <input type="checkbox"/>
B	13 ½" <input type="checkbox"/>	14 ½" <input type="checkbox"/>
C	14" <input type="checkbox"/>	15" <input type="checkbox"/>
D	14 ½" <input type="checkbox"/>	15 ½" <input type="checkbox"/>
E	15" <input type="checkbox"/>	16" <input type="checkbox"/>
F	15 ½" <input type="checkbox"/>	16 ½" <input type="checkbox"/>
G	16" <input type="checkbox"/>	17" <input type="checkbox"/>
H	16 ½" <input type="checkbox"/>	17 ½" <input type="checkbox"/>
I	17" <input type="checkbox"/>	18" <input type="checkbox"/>
J	17 ½" <input type="checkbox"/>	18 ½" <input type="checkbox"/>




PROPULSION WHEEL POSITION

Please specify the desired position: _____



WHEEL LOCKS				
PRODUCT	DESCRIPTION	CODE	PRICE	CHOICE
Wheel Locks	Push-to-lock	XL29	N/C	<input type="checkbox"/>
Extension Handles	Fixed Extension Handle - 6"	XL30	\$40 Pair	<input type="checkbox"/>
	Telescopic Extension Handle - 4 ½"	XL31	\$60 Pair	<input type="checkbox"/>
ANTI-TIPS				
Anti-Tips	Alumium anti-tips	XL40A XL40B	N/C	<input type="checkbox"/>
BACK POSTS				
Notes	All back post are height adjustable by increments of 1".			
Standard Back Posts (with grip handles)	16" <input type="checkbox"/> 17" <input type="checkbox"/> 18" <input type="checkbox"/> 19" <input type="checkbox"/> 20" <input type="checkbox"/>	XLH1620	N/C	←
BACK POST ANGLE				
Back Post Angle	Straight 0°	XLHR0	N/C	<input type="checkbox"/>
	Bend 8°	XLHR8	N/C	<input type="checkbox"/>
BACKREST ANGLE				
Backrest Angle	85° <input type="checkbox"/> 90° <input type="checkbox"/> 95° <input type="checkbox"/> 100° <input type="checkbox"/> 105° <input type="checkbox"/>		N/C	←
STROLLER BAR				
Stroller Bar	Angle adjustable stroller bar	XL09...	N/C	<input type="checkbox"/>
ARMREST				
Notes	"T" TYPE ARMREST: Removable armrests, adjustable in height by increments of ½", includes locking mechanism and clothing guards. Provides ½" clearance on each side.			
"T" Type	Lowered - Adjustable from 7" to 12"	08-TX1-	\$112 Pair	<input type="checkbox"/>
	Standard - Adjustable from 8" to 14"	08-TX2-	N/C	<input type="checkbox"/>
ARMREST PADS				
Armrest Pads	Foam Pad - Desk length (2 ¼" x 10")	-FS	N/C	<input type="checkbox"/>
	Foam Pad - Full length (2 ¼" x 14")	-FL	N/C	<input type="checkbox"/>
SWING AWAY FOOTREST				
Notes	Footrest can be swivelled inwards or outwards, is removable and is equipped with a locking mechanism. Adjustable in lenght by increments of ½".			
Swing Away Footrest	70° Swing Away Footrest - Adjustable in lenght from 5 ½" to 9 ½".	NX70	N/C	<input type="checkbox"/>
	90° Swing Away Footrest - Adjustable in lenght from 6" to 10".	NX90	N/C	<input type="checkbox"/>
	Specify desired length: _____" (± ¼")	-	-	←
FOOTPLATES				
Flip-up & Adjustable Footplates	Aluminium footplates with angle and depth adjusments	XL27S-	\$180 Pair	<input type="checkbox"/>
	Size: 4" X 5"			
	Aluminium footplates with angle and depth adjusments	XL27S-	\$180 Pair	<input type="checkbox"/>
	Size: 6" X 6 ¾"			
Heel Support Strap	Adjustable in length	XL28-	\$55 Pair	<input type="checkbox"/>

PELVIC POSITIONING BELT				
PRODUCT	DESCRIPTION	CODE	PRICE	CHOICE
Positioning Belt	Pelvic positioning belt with auto-style buckle, 2"	XL41	\$75	<input type="checkbox"/>
ADAPTED TRANSPORT SECUREMENT POINTS				
Securement Points	 4 Tie-down strap securement points for adapted transport, Certified ISO/DIS 7176-19:2019	XL42	N/C	<input type="checkbox"/>
SPOKE-GUARDS				
Spoke-guards	Transparents spoke-guards	NX46-	\$180 Pair	<input type="checkbox"/>
BACKRESTS				
Flexible	Flexible - Nylon backrest	D4240-...	N/C	<input type="checkbox"/>
Standard	Standard - Tension adjustable backrest	D4250-...	\$142	<input type="checkbox"/>

YOU DIDN'T FIND WHAT YOU WANT ON THIS ORDER FORM?
Describe your need below. Our customer service will evaluate your request and give you a detailed quote.

Notes :

